

KUDOS

REFRESHING INNOVATION IN SHOWERS

FIXING INSTRUCTIONS FOR SHOWER TRAYS

**HANDLE WITH CARE - DO NOT DROP -
READ INSTRUCTIONS CAREFULLY BEFORE INSTALLATION**

GENERAL CARE

During installation, protect tray with cardboard, cloth or a soft cover. Strong chemicals such as polish, paint thinner, and disinfectants can damage the surface as can blow lamps or hot metal from soldering.

BEFORE INSTALLATION - CHECKLIST

1. Carefully remove outer packaging. Check colour/size of tray.
2. Remove the clear protective film from the tray and check that there is no visible damage/faults, (any defects must be reported to the manufacturer **before** installation). Claims for imperfections will only be accepted prior to installation).
3. Check surface on which tray will be installed is level.
4. Check there is sufficient access to waste and pipe work below floor level.
5. Shower tray should be installed **before** tiling to ensure that top of tray is either below bottom edge of tiles or behind tiles - see figure 1. This helps to create a watertight seal between tray and wall joints.

6. Important - when positioning tray ensure that, after tiling, there is sufficient space for the installation of the shower enclosure - **refer overleaf to enclosure adjustment sizes**.

TIMBER FLOORS

7. Check floorboards are securely fixed. If in doubt cut a piece of green grade chipboard (18-20mm) to size of tray and position where it will eventually sit. **N.B. Before securing floorboards or chipboard make sure that there are no electrical connections or pipe work beneath floor level.**

8. Carefully place tray and drill hole in floor for waste. Diameter must accommodate entire waste coupling so that it falls below floor level.

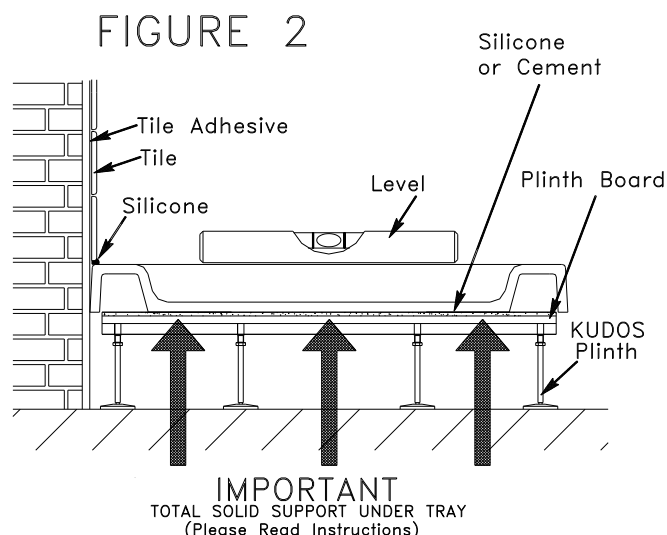
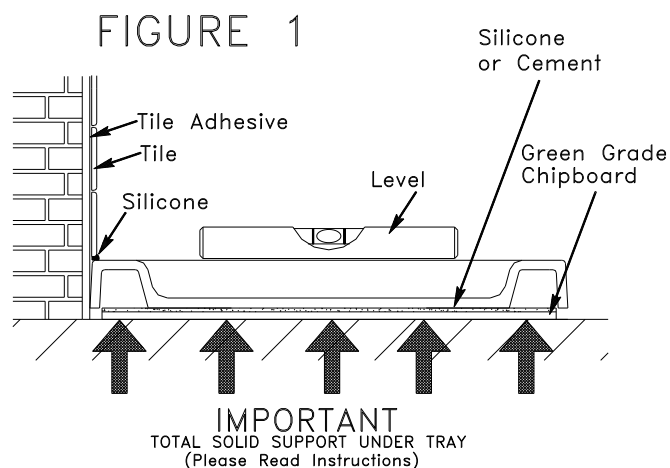
SOLID OR RESTRICTED ACCESS FLOORS

9. Utilise the KUDOS plinth or construct a plinth on which to rest the tray. This must accommodate waste trap. See figure 2 opposite.

INSTALLATION

10. Use clear waterproofing agent to seal installation area.
11. Create watertight seal around waste using a silicone sealant or plumbers mate. Position and fit waste and trap to base. **N.B. Do not use putty or other mastics as they may damage the tray material.**
12. Using either tile adhesive, silicone or a weak cement mix (5 parts sand/ 1 part cement) apply sufficient to board to cover entire underside of tray. Apply a minimum of 5mm thickness to lowest point of tray. More may be required in places to ensure tray is level. When complete the whole of the tray should be supported by at least 5mm of cement.
13. Ensure that top of tray is level, in particular where the enclosure sits. However, the inside will fall away slightly towards the waste to allow drainage.

14. Before tiling, seal tray to wall with bead of silicone. Following tiling, **but before fitting enclosure**, apply further bead of silicone to ensure installation is watertight.



WE RECOMMEND THE FOLLOWING WASTES

For Concept 1 (95mm Tray) - Standard trap with 70mm flange and 90mm depth.

For Concept 2 (55mm Tray) - Kudos waste available at time of purchase.

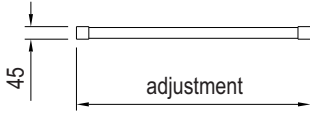
The KUDOS Concept 2 Plinth is designed to accommodate both trays and waste systems but if a timber support is built, it may be necessary to modify slightly for each option - to avoid interference with the underside of the green grade chipboard.

CLEANING

SHOWER TRAY: Clean immediately after use to prevent a build up of scale or dirt. Warm soapy water should be used to clean the surface. Any crevices may be cleaned using a soft bristled brush. Rinse and wipe dry with a soft clean cloth or towel. Avoid all abrasives or harsh detergents.

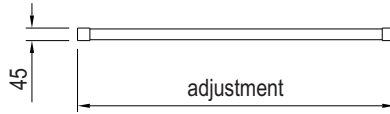
WASTE FITTINGS: Warm soapy water and a few drops of washing up liquid. Do not use cream cleaners or scouring products on chrome as this may damage the surface and be a source of corrosion. Follow the manufacturers own recommendations for cleaning waste fittings etc.

STRAIGHT PIVOT / BIFOLD DOORS



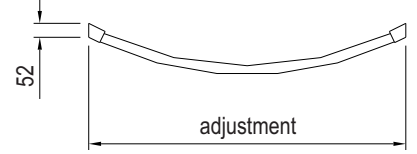
ADJUSTMENT mm		
PRODUCT SIZE	RECESS door only	CORNER door + 1 side panel
760 Pivot / Bifold	705 - 745	732 - 752
800 Pivot / Bifold	745 - 785	772 - 792
900 Pivot / Bifold	845 - 885	872 - 892
1000 Pivot	945 - 985	972 - 992
1200 Pivot	1145 - 1185	1172 - 1192

STRAIGHT SLIDER DOOR



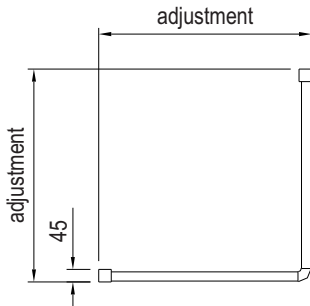
ADJUSTMENT mm		
PRODUCT SIZE	RECESS door only	CORNER door + 1 side panel
1200 Slider	1145 - 1185	1172 - 1192

BOWED PIVOTS / SLIDER



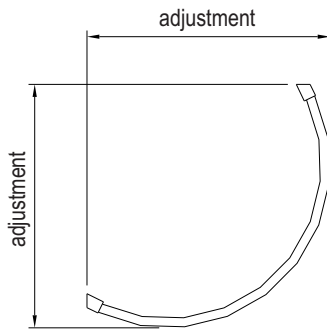
ADJUSTMENT mm		
PRODUCT SIZE	RECESS door only	CORNER door + 1 side panel
800 Pivot	755 - 785	775 - 790
900 Pivot	855 - 885	875 - 890
1200 Pivot / Slider	1145 - 1175	1165 - 1180

STRAIGHT CORNER SLIDER



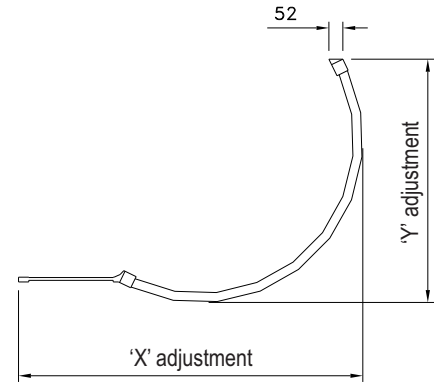
ADJUSTMENT mm	
PRODUCT SIZE	CORNER ENCLOSURE
760	725 - 745
800	765 - 785

CURVED SLIDERS / PIVOTS



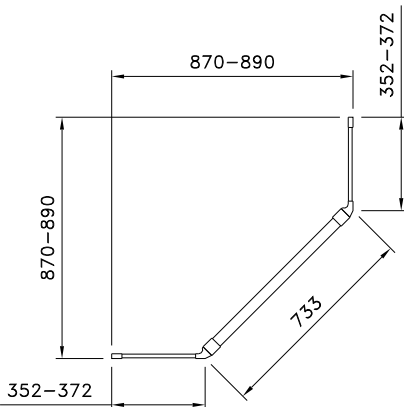
ADJUSTMENT mm	
PRODUCT SIZE	CORNER ENCLOSURE
810 Curved	780 - 795
910 Curved	880 - 895
1000 x 810 Offset	970 - 985 / 780 - 795

OFFSET CURVED SLIDER / PIVOT

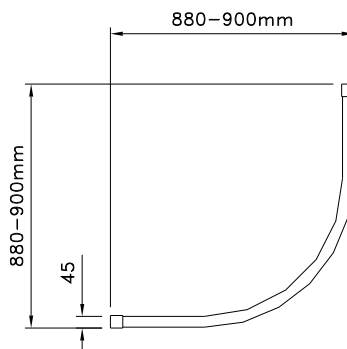


ADJUSTMENT mm	
PRODUCT SIZE	CORNER ENCLOSURE
1270 Offset Pivot	'X' 1240 - 1260 'Y' 880 - 895
1270 Offset Slider	'X' 1245 - 1260 'Y' 880 - 895

PENTAGRA ENCLOSURE



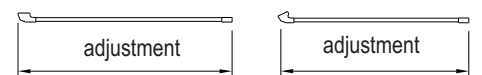
CURVED QUADRANT PIVOT



ENCLOSURE PANELS

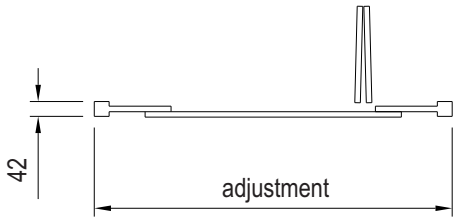
STANDARD

SPECIAL



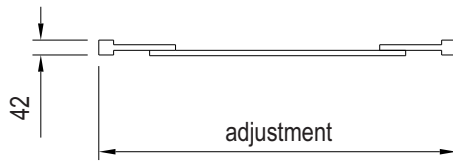
ADJUSTMENT mm	
PRODUCT SIZE	SIDE PANEL
700 Special Side Panel (<i>Bowed Doors Only</i>)	685 - 700
800 Special Side Panel (<i>Bowed Doors Only</i>)	785 - 800
700 Standard Side Panel	672 - 687
760 Standard Side Panel	732 - 747
800 Standard Side Panel	772 - 787
900 Standard Side Panel	872 - 887

CENTRE FOLDING DOOR



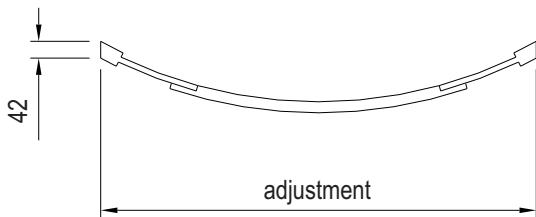
ADJUSTMENT mm			
PRODUCT SIZE	RECESS door only	CORNER door + 1 side panel	PENINSULAR door + 2 side panels
760	725 - 765	731 - 751	737
800	765 - 805	771 - 791	777
900	865 - 905	871 - 891	877
1000	965 - 1005	971 - 991	977
1200	1165 - 1205	1171 - 1191	1177

STRAIGHT HINGED / SLIDER DOORS



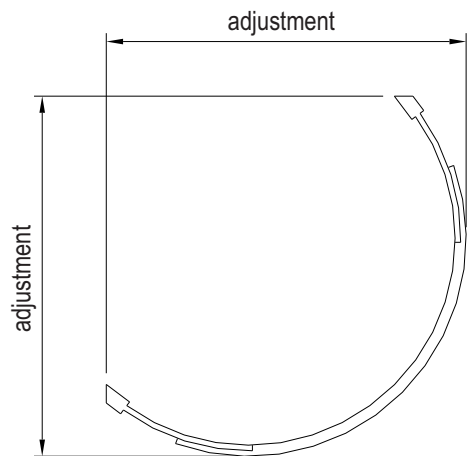
ADJUSTMENT mm			
PRODUCT SIZE	RECESS door only	CORNER door + 1 side panel	PENINSULAR door + 2 side panels
800 Hinged	765 - 805	771 - 791	777
900 Hinged	865 - 905	871 - 891	877
1000 Hinged	965 - 1005	971 - 991	977
1200 Hinged / Slider	1165 - 1205	1171 - 1191	1177
1500 Hinged / Slider	1465 - 1505	1471 - 1491	1477

BOWED HINGED / SLIDER DOORS



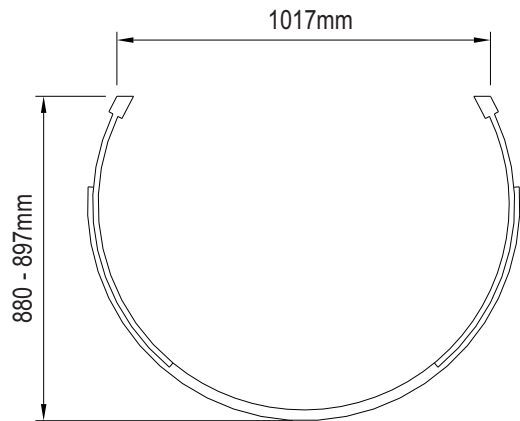
ADJUSTMENT mm			
PRODUCT SIZE	RECESS door only	CORNER door + 1 side panel	PENINSULAR door + 2 side panels
1200 Hinged / Slider	1170 - 1205	1172 - 1189	1174
1500 Slider	1470 - 1505	1472 - 1489	1474
1700 Slider	1655 - 1690	1657 - 1674	1659

CURVED SLIDER ENCLOSURES

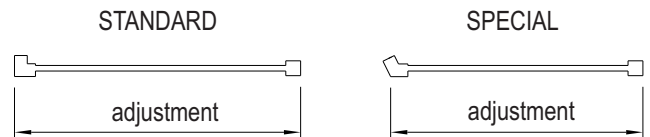


ADJUSTMENT mm	
PRODUCT SIZE	CORNER ENCLOSURE
910 Curved	880 - 897
1000 Curved	970 - 987
1000 Offset Curved	780 - 797 / 970 - 987
1200 Offset Curved	880 - 897 / 1170 - 1187

1200 PENINSULAR SLIDER ENCLOSURE



ENCLOSURE PANELS



ADJUSTMENT mm	
PRODUCT SIZE	SIDE PANEL
700 Special Side Panel (Bowed Doors Only)	678 - 698
760 Standard Side Panel	731 - 751
800 Standard Side Panel	771 - 791
900 Standard Side Panel	871 - 891
1000 Standard Side Panel	971 - 991
1200 Standard Side Panel	1171 - 1191



KUDOS Shower Products Limited, Elmsfield Park, Holme, Cumbria LA6 1RJ
Tel: 01539 564040 Fax: 01539 564141