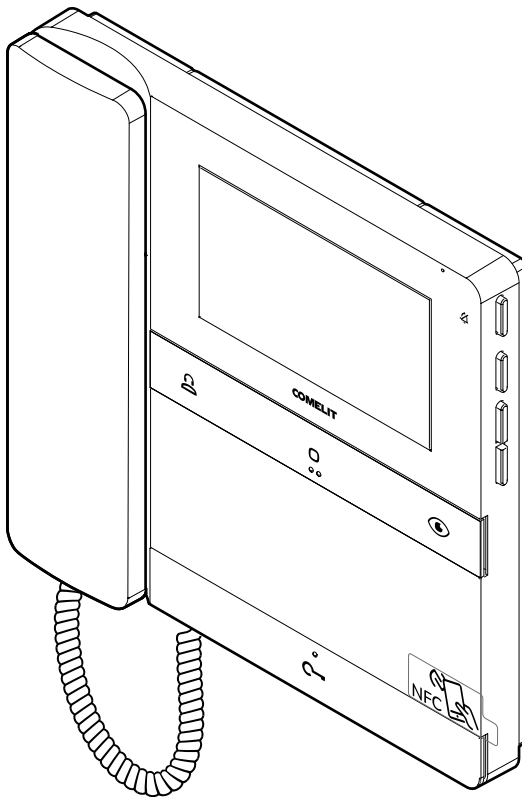


Logos
LS8701

COMELIT
WITH • YOU • ALWAYS

FULL TECHNICAL MANUAL



**Join us
in taking care
of our planet**

Logos door entry monitor art. LS8701 for Simplebus 2 system

Logos series surface-mounted door entry monitor with handset and 4.3-inch colour display.

Simplebus 2 system.

It has 4 programmable mechanical buttons, which are pre-configured to trigger the actions that the user uses most: electric lock, switchboard call, control of an actuator, and self activation.

On the side of the door entry monitor there are buttons for setting the Silent mode, with related graphic and visual signals, as well as buttons for accessing the menu and for navigation.

In the menu, the user can set the brightness, contrast, colour and ringtone volume, among other settings.

As for the ringtone, the user can also choose from several melodies.

The buttons at the centre of each row are tactile so that they can be easily identified by the visually impaired.

It comes standard with the floor door call.

The floor door call input can also be configured to remotely control the key button, an actuator (generic or with code) or send a panic call.

The door entry monitor is equipped with NFC connection to fully program the device using a smartphone and the MyComelit app, even if the video door entry monitor is switched off.

The metal backplate, which ensures that it is firmly and securely fixed, and the riser distribution terminal (item 1214/2C) are supplied.

Dimensions (L x H x D): 186 x 180 x 35 mm.



**Think before you
print**

**and use the
interactive links**



Help us to save the planet.

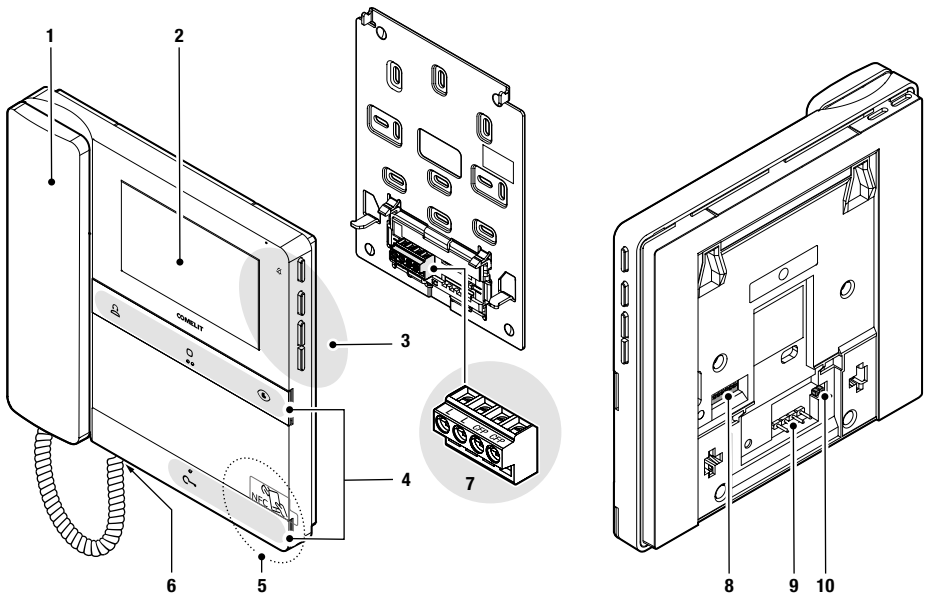
Think of the planet before printing this document.

You are reading an interactive document: quickly access the content you are interested in via links.

Table of contents

Description	4
Front buttons - factory programming	5
Side buttons	5
Indicator LEDs	6
Technical specifications	7
Programming the user code	9
Programming the user code via the MyComelit app	9
Programming the user code using the dip-switches	12
Installation	13
Disassembling the door entry monitor	14
Removing and fitting the connection terminals	15
Connections	16
Programming	17
Programming via installer menu	18
Programming via MyComelit app	20
Expansion diagrams	23
Wiring diagrams	24
System with power supply unit art. 1210/1210A and operating distances	24
System with power supply unit art. 4888C and operating distances	27
Warning	29

Description



1. Handset.
2. 4.3" / 16:9 LCD screen.
3. Mechanical side buttons.
4. Mechanical front buttons, with touch guides for sight impaired users on the middle buttons of each row.
5. NFC detection area.
6. Handset connector.
7. Connection terminal block:
 - LL** Terminals for bus line connection.
 - CFP CFP** Terminals for floor door call connection.
8. Dip-switch for programming the user code.
9. Pin for securing the terminal block.
10. **CV5** Jumper for video closure.

Front buttons - factory programming



Standard call to switchboard ★

- ▶ Press the button to send a call to the porter switchboard.



Generic actuator ★

- ▶ Press the button to activate a generic actuator (art. 1256) or the relay for the external entrance panel.



Self activation ★

- ▶ Press the button to access real-time viewing of the images on the outdoor entrance panel camera.

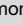



Lock-release ★

- ▶ Press the button to activate the door lock.

Door opening on call

This button can also be used to enable "Automatic lock-release on receipt of call", which allows automatic activation of the lock-release relay on receipt of a call originating from the external entrance panel.

- √ The function must be authorised by the installer via the MyComelit app.
- ▶ When the door entry monitor is in standby, press  for 5 seconds to enable/disable "Automatic lock-release on receipt of call" mode.
 - » A confirmation tone will play.
 - » The steadily lit LED  indicates that the function is active.



★ To change the factory programming for the buttons, please refer to the chapter [Programming](#) on page 17.

Side buttons



 Button for activating "Silent mode"

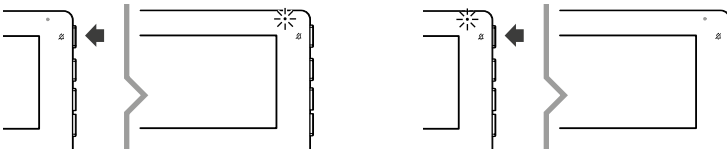
OK Confirm button

 Buttons for scrolling menus and selecting values


} Menu access and navigation button

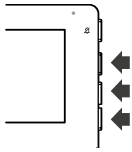
ACTIVATING "SILENT MODE"

- ▶ Press the button to activate/deactivate **Silent mode**.
- » The red LED indicates that the function is active.

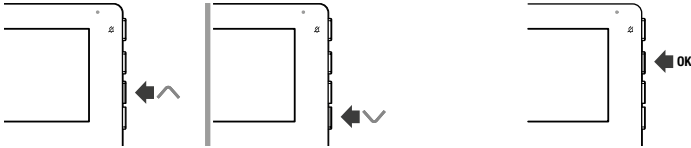


ACCESSING AND NAVIGATING MENUS

- ▶ Press **one** of the buttons below to access the **user menu**.



- ▶ Press **^** and **v** to scroll through the menu and/or select the values, then press the confirm button to confirm the selection.



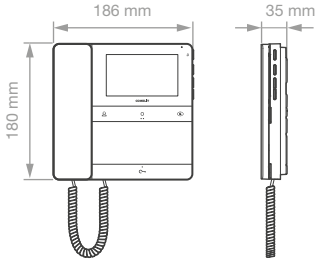
User menu options

	Exit
	Call volume adjustment
	Select ringtone upon call from external entrance panel
	Brightness control
	Contrast adjustment
	Colour adjustment

Indicator LEDs

	White LED	<p>Flashing: incoming call/communication taking place.</p> <p>Flashing with door entry monitor in standby: "Door open" indication.</p> <p>Lit steadily with door entry monitor in standby: "Automatic lock-release on receipt of call" mode enabled.</p>
	Red LED	<p>4 flashes: system busy.</p> <p>Lit steadily: silent mode enabled</p>

Technical specifications



GENERAL DATA	
Product colour	White RAL9003
Surface mounting	Yes
Desk base mounting	Yes, with specific accessory
Product weight	610 grams
Coating material type	ABS, PMMA
COMPATIBLE SYSTEMS	
	Simplebus 2 audio/video with power supply unit art. 4888C
	Simplebus 2 audio/video with power supply unit art. 1210/1210A
	Simplebus 2 audio/video kit with power supply unit art. 1209
DISPLAY	
Display size	4.3
Aspect ratio	16:9
Resolution (pixels)	480x272
On-screen menu (OSD)	Yes
Type of display	TFT
AUDIO SPECIFICATIONS	
Microphone	6 mm (ø), Omnidirectional
Loudspeaker	40 mm (ø) x 5.1 mm (H), 100 Ohm, 0.25W
ELECTRICAL SPECIFICATIONS	
Type of power supply	Power supply via video entry bus
Power supply voltage	33 VDC
Absorption in standby	0.02 W
Maximum absorption	6.6 W
HARDWARE SPECIFICATIONS	
Type of buttons	Mechanical
Terminals	L L CFP CFP
Removable terminals	Yes
Number of inputs	1
Backlighting colour	White
Total buttons	4

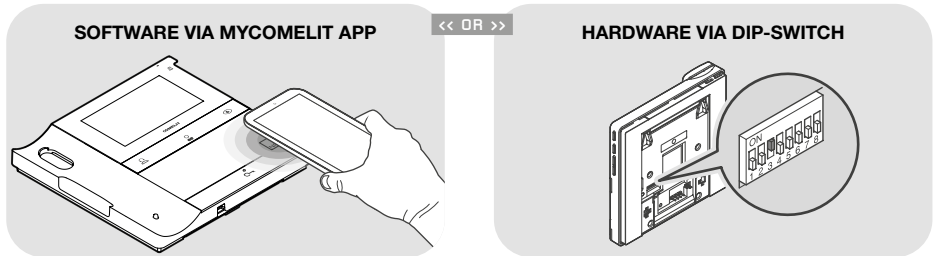
SETTINGS	
Ringtone volume	Yes
Screen brightness	Yes
Screen contrast	Yes
Screen colour	Yes

ENVIRONMENTAL AND CONFORMITY SPECIFICATIONS	
IP protection rating	IP30
Operating temperature (°C)	5 to 40
Operating humidity (max. RH)	25 to 75
Environmental class	I
CE certification	RoHS II - 2011/65/EU (EN IEC 63000:2018), EMC 2014/30/EU (EN 61000-6-1:2007, EN 61000-6-3:2007+A1:2011)

GENERAL FEATURES	
Lock-release	Yes
Self activation	Yes
Intercom calls	Yes
Actuator control	Yes
Switchboard call	Yes
Input for floor door call	Yes
Silent mode	Yes
Automatic lock-release on receipt of call	Yes
Door open indication	Yes
Customisable ringtone	Yes
Panic call	Yes
Selective intercom call	Yes
Visual indications	Yes
Acoustic indications	Yes

Programming the user code

A user code must be assigned to the door entry monitor. The user code can be programmed via the MyComelit app or using the dip-switches.



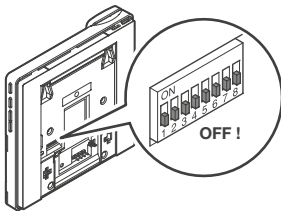
Programming the user code via the MyComelit app

The door entry monitor has an NFC connection which means it can be programmed quickly and easily **via the MyComelit app**, available to download free of charge.



Programming can even take place while the door entry monitor is off, and without removing the device from its packaging! The user code for several door entry monitors can be programmed in sequence!

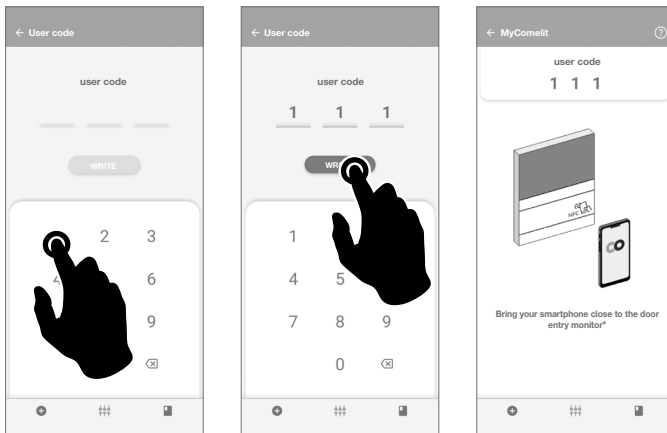
- ✓ All dip-switches must be set to OFF (factory programming) and should remain OFF even during normal operation.



1. Open the MyComelit app and log in (or create a new account if it is the first time you have accessed it).
2. Select "LOGOS DOOR ENTRY MONITOR SETUP".

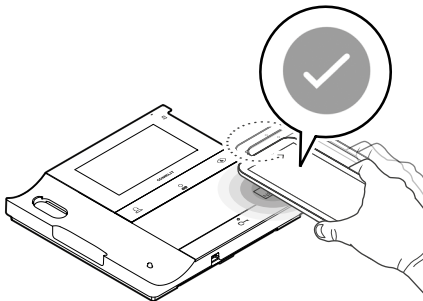


3. Enter the desired user code and press "WRITE".

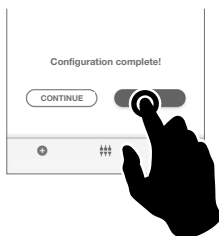


4. Bring your smartphone close to the NFC detection area of the door entry monitor (identified by its label) and make a circular motion until you feel it vibrate. **The vibration indicates that writing is taking place. Hold your smartphone in place until the procedure is complete.**

» *A tick indicates that writing was successful.*



5.A Press "END" to end the user code programming procedure on the door entry monitor.



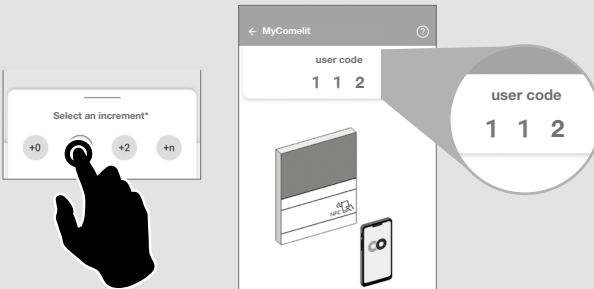
OR

if you want to program the user codes for other door entry monitors in sequence:

5.B Press "CONTINUE".



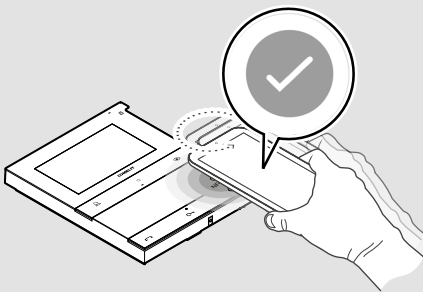
6.B Select the desired increment interval.



7.B Bring your smartphone close to the NFC detection area of the new door entry monitor (identified by its label) and make a circular motion until you feel it vibrate.

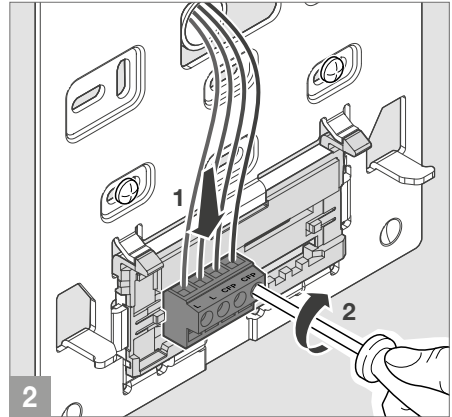
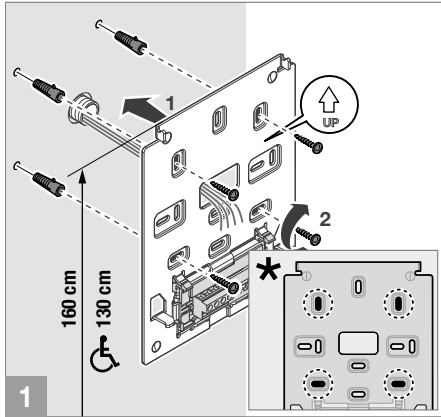
The vibration indicates that writing is taking place. Hold your smartphone in place until the procedure is complete.

» A tick indicates that writing was successful.

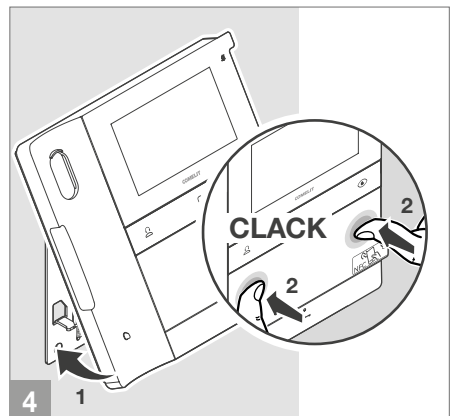
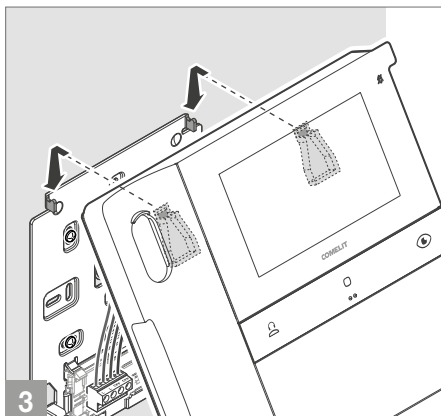
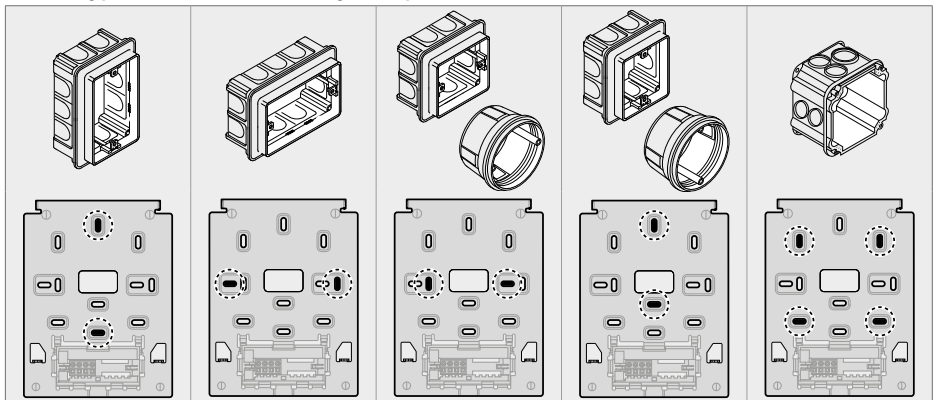


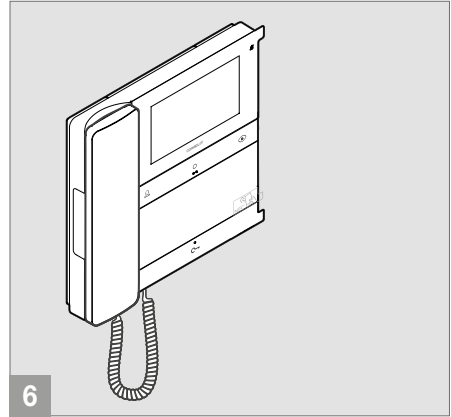
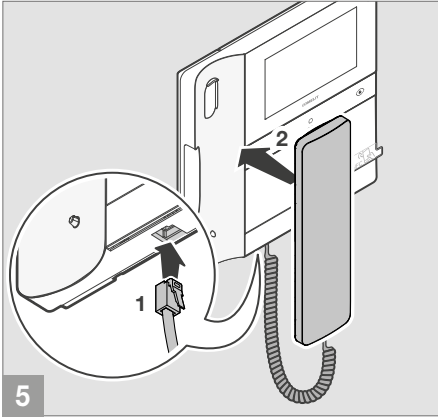
8.B Repeat step 7.B for each door entry monitor on which you want to program the user code.

Installation

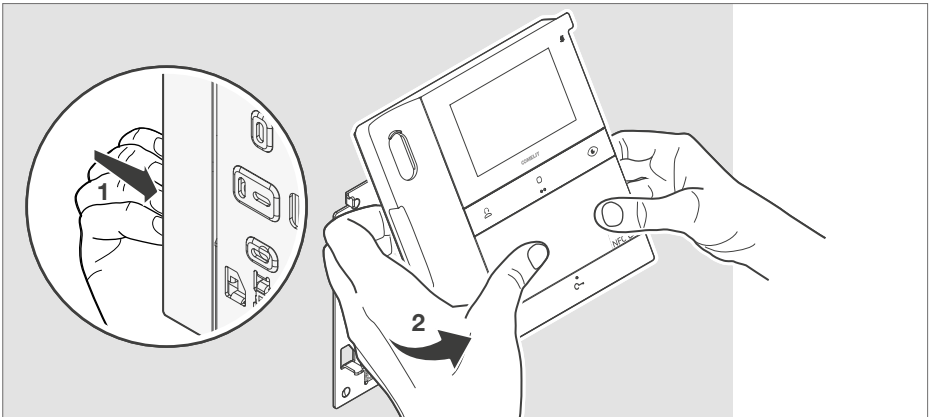


* Fixing points for use when installing in compatible boxes

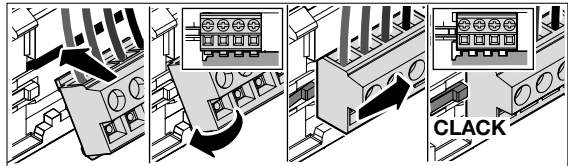
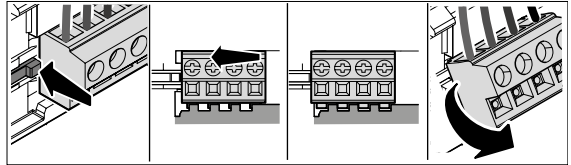
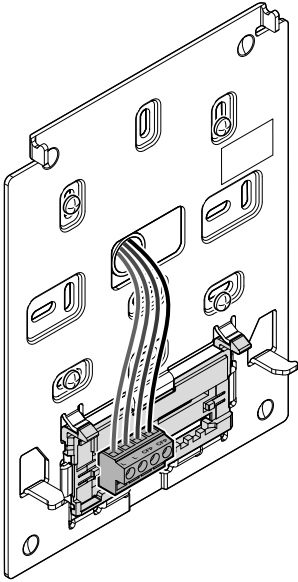




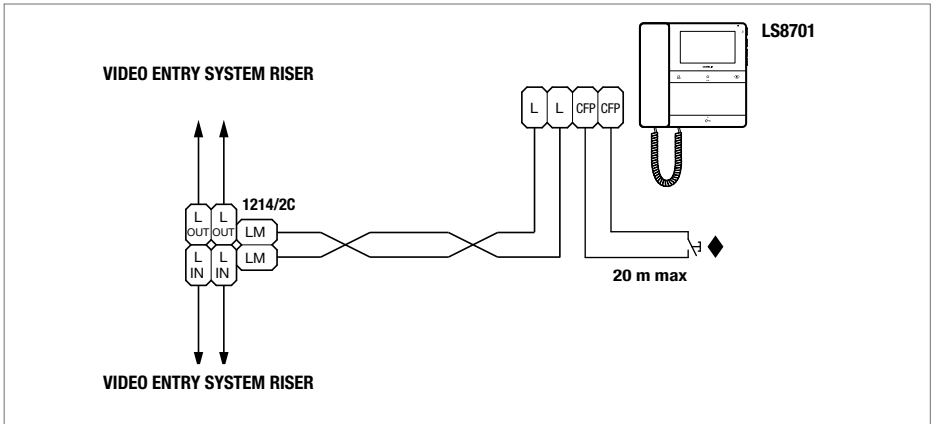
Disassembling the door entry monitor



Removing and fitting the connection terminals



Connections







◆ **CFP floor door call input**

Where multiple door-entry phones or door entry monitors have the same user code, connect the CFP button on one only; all the devices will ring simultaneously.

Programming

The programmable buttons are supplied factory programmed with the following functions:

			
[CCS]	[ACTG]	[AI]	[AP]
Standard call to switchboard	Generic actuator	Self activation	Lock-release

The programming of these buttons can be customised:

- Using the **MyComelit app** via a smartphone
- Using the **installer menu** on the door entry monitor

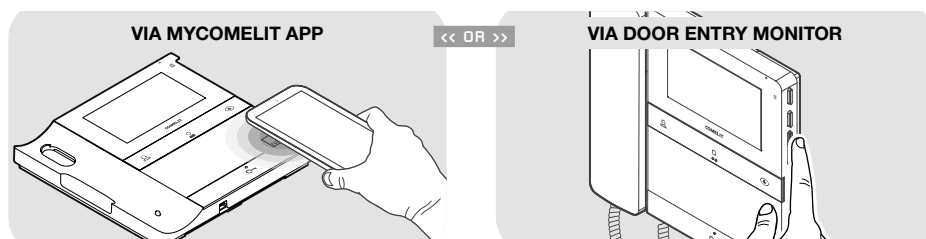


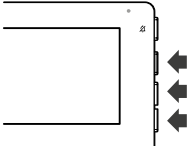
TABLE OF AVAILABLE FUNCTIONS

[AI]	Self activation	Real-time viewing of the images from the outdoor entrance panel camera
[ACTG]	Generic actuator	Activation of a generic actuator (art. 1256)
[ACT]	Actuator with code	Activation of an actuator with code (art. 1256)
[CCP]	Call to main switchboard	Call to main porter switchboard
[CCS]	Standard call to switchboard	Call to porter switchboard
[INT-I]	Intercom call to the same apartment	Intercom call to the same apartment
[INT-E]	Intercom call to another apartment	Intercom call to another apartment You must program the [ADDRESS] user code for the apartment you want to call
[CAMG]	Generic remote camera	Viewing of the images from the cameras connected to module art. 1259C or 1409 (generic actuator mode)
[CAM]	Remote camera with code	Viewing of the images from the cameras connected to module art. 1259C or 1409 (actuator with code mode)
[PAN]	Panic call	Priority call to porter switchboard
[AP]	Lock-release	Door lock activation
[NULL]	No function	

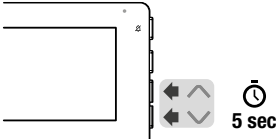
Programming via installer menu

The function associated with the buttons can be changed via the installer menu.

1. Press **one** of the buttons below to access the **user menu**.



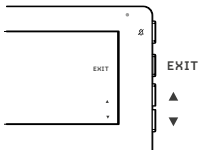
2. Press **^** and **v** for 5 sec to access the **installer menu**.






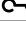
» A confirmation tone will sound and the following screen will appear

VER: v1.0.0	ADDRESS: 001		
	FUNCTION	ADDRESS	OK
BUTTON 1	CCS		
BUTTON 2	ACTG		
BUTTON 3	AI		▲
BUTTON 4	AP		
EXIT			▼

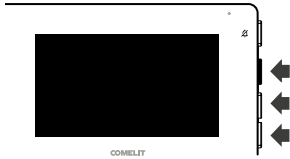
3. Press OK to confirm the selection.
Press **▲** and **▼** to select the buttons, the functions and the addresses you want to program.
When the element is selected, the text will turn green.
4. To exit the installer menu, select **EXIT** or wait for 2 minutes (time-out period) without doing anything.



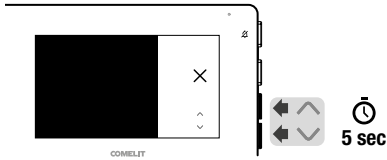
Description of the programming page



VER	Firmware version
ADDRESS	Programmed user code
BUTTON 1	Button 
BUTTON 2	Button 
BUTTON 3	Button 
BUTTON 4	Button 
FUNCTION	Function associated with the button
ADDRESS	Code required for some functions
EXIT	Exit programming

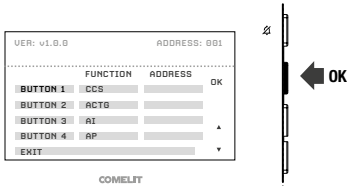
EXAMPLE: PROGRAMMING THE INTERCOM FUNCTION ON THE  BUTTON



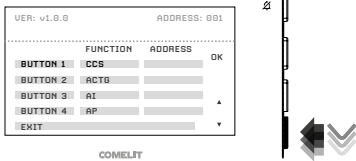
1. Press **one** of the buttons below to access the **user menu**.




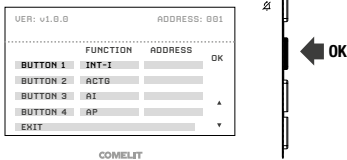
2. Press  and  for 5 sec to access the **installer menu**.
» A confirmation tone will sound and the programming screen will appear.



3. Confirm the selection of **BUTTON 1** by pressing **OK**.



4. Scroll through the menu using  until you have selected the **[INT-I]** or **[INT-E]** function.



5. Confirm the **[INT-I]** or **[INT-E]** function by pressing **OK**.

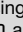
A **[INT-I]**

To program an **intercom call to all devices in the apartment**.

FUNCTION	ADDRESS	OK
INT-I	001	OK
ACTG		
AI		
AP		

B **[INT-E]**

To program an intercom call to **all devices in another apartment** with a different user code (for example, 3).

► Scroll through the menu using  until the desired code is selected (for example, 003) and confirm by pressing **OK**.

FUNCTION	ADDRESS	OK
INT-E	003	OK
ACTG		
AI		
AP		

Programming via MyComelit app

√ *Update the MyComelit App to the latest available version.*

The MyComelit app can be used to program the door entry monitor quickly and easily, even while it is switched off.

The MyComelit app makes it possible to:

- Read all door entry monitor programming.
- Edit and rewrite the programming.
- Create programming offline, save it to your smartphone and then write it on the door entry monitor later.
- Create and save your favourite programming to your smartphone.
- Increase the user code by a configurable value to allow the programming of door entry monitors in sequence.
- Copy the programming of one door entry monitor to another door entry monitor.
- Share the door entry monitor programming with other users (via WhatsApp, etc.) to facilitate technical support.
- ...

In addition to these functions, the MyComelit app can also be used for the following functions:


- To program the user code (only if it has not been programmed using the DIP-switches, see [Programming the user code via the MyComelit app on page 9](#)).
- To program the functions to be associated with the buttons.
- To program the door entry monitor as main/secondary (see [Main and Secondary Door Entry Monitor on page 21](#)).
- To change the ringtones for:
 - Call from external entrance panel.
 - Floor door call (CFP).
 - Call from switchboard.
 - Intercom call.
 - Call with range.
- To change the functions associated with the CFP input (see [Functions associated with the CFP input on page 22](#)).
- To program the following functions:
 - Intercom (see [Intercom on page 21](#)).
 - Selective intercom (see [Selective intercom on page 21](#)).
 - Selective group intercom (see [Selective group intercom on page 22](#)).
- Authorise the user to use the “Door opening on call” function (see [Door opening on call on page 5](#)).
- To program the minimum and maximum call codes for the call range function (see [Call range on page 22](#)).
- To disable the user and/or installer menu on the door entry monitor.
- Disable the “Silent mode” button or select the ringtones to silence.
- To restore the door entry monitor to its factory programming.

MAIN AND SECONDARY DOOR ENTRY MONITOR

In systems with power supply unit art. **1210/1210A**, one main door entry monitor and 3 secondary door entry monitors can be programmed for each apartment.

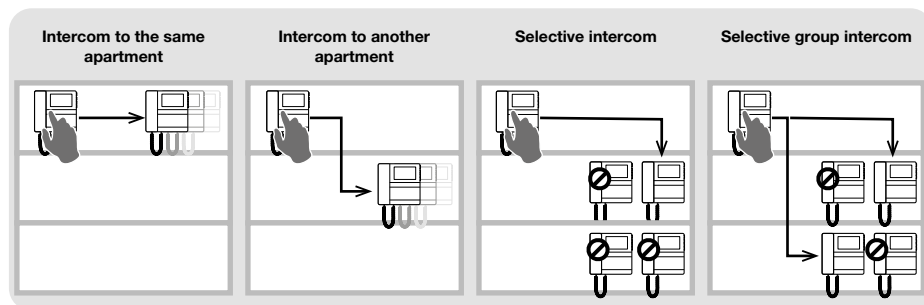
In systems with power supply unit art. **4888C**, 2 main door entry monitors and 2 secondary door entry monitors can be programmed for each apartment.

On receipt of a call from the entrance panel:

- » All door entry monitors ring.
- » The image from the entrance panel appears automatically on the main door entry monitor. Any other secondary door entry monitors in the same family unit will remain off.
- » Video can be requested on the secondary door entry monitor(s) (without answering the call) by pressing the button programmed for self activation (factory set as button ) or by lifting the handset to start communicating with the caller.

INTERCOM FUNCTION

Various types of intercom call can be programmed:



INTERCOM

- **Intercom call to the same apartment**

- ▶ On the desired button, program the intercom call **[INT-I]** to call ALL door entry monitors in the same apartment.

- **Intercom call to another apartment**

- ▶ On the desired button, program the intercom call **[INT-E]** to the user code **[ADDRESS]** for the apartment you want to call, to call ALL door entry monitors in that apartment.

SELECTIVE INTERCOM

- **Selective intercom**

This is an intercom call to a single door entry monitor in the same apartment or another apartment identified by a dedicated intercom code, different from the user code. ONLY that door entry monitor will be called. The intercom code can be programmed from 1 to 8. The same intercom code can be associated with up to 3 door entry monitors.

NOTE: if even a single user programs this function, the intercom code must be programmed on all door entry monitors on the riser, even if they do not use the function!

1. Program the intercom code on the door entry monitor you want to call.
2. On the desired button, program the “selective intercom” function for the intercom code of the door entry monitor you want to call.

- **Selective group intercom**

This is an intercom call to groups of several door entry monitors in the same apartment or another apartment identified by a dedicated intercom code, different from the user code. The door entry monitor button can be programmed with up to 3 different intercom codes to which the call will be made at once. The maximum number of door entry monitors which can ring simultaneously nevertheless remains 3.

1. Program the intercom code on the door entry monitors you want to call.
2. On the desired button, program the “selective group intercom” function for the intercom codes of the door entry monitors you want to call.

NOTE:

intercom and selective intercom CANNOT be programmed in the same system!

FUNCTIONS ASSOCIATED WITH THE CFP INPUT

In addition to the floor door call, other functions can be associated with the CFP input (CFP and CFP terminals):

- Control of a generic actuator or with a code.
- Panic call (priority call to porter switchboard).
- Remote control of lock-release command.

CALL RANGE

The door entry monitor can be programmed to receive calls originating from the outdoor entrance panel and direct calls, to both your own user code and an interval (range) of user codes.




Example:

If the door entry monitor is programmed with user code “1” and the range of user codes from 5 to 7 is also programmed, when the function is enabled it will receive both direct calls to user code “1” and direct calls to user codes 5, 6 and 7.






√ **The user can only activate/deactivate the range of user codes if they have been authorised to do so by the installer, via the MyComelit app.**

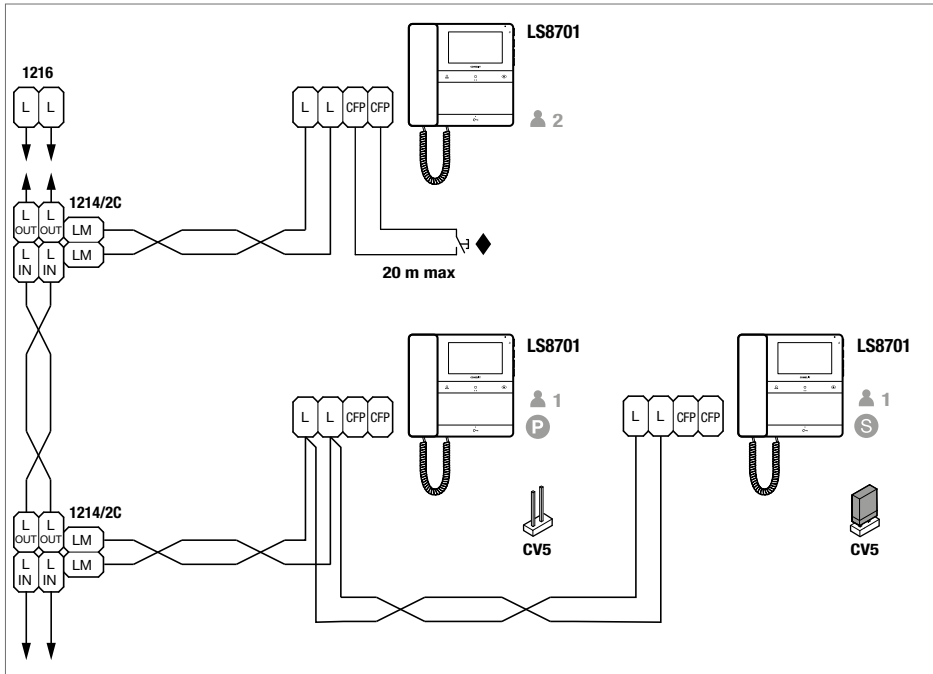
Range activation:

- ▶ Press and hold buttons  and  together for 5 seconds.
 - » The text “ON” appears on the door entry monitor display for 3 seconds.
 - » The  LED flashes to indicate that the function is active.

Range deactivation:

- ▶ Press and hold buttons  and  together for 5 seconds.
 - » The text “OFF” appears on the door entry monitor display for 3 seconds.
 - » The  LED switches off.

Expansion diagrams

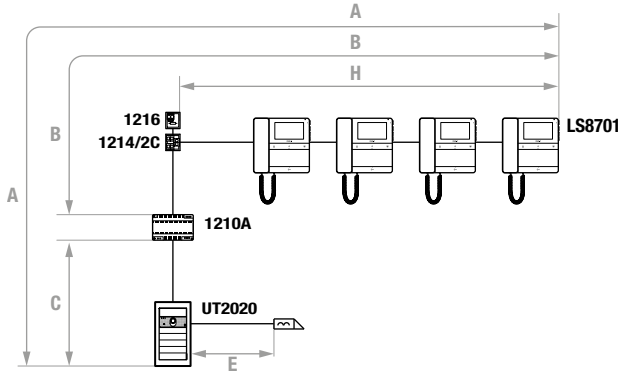







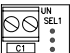



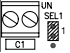

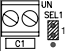
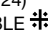
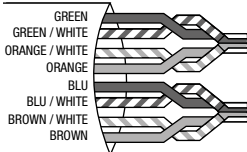

- P S** In systems with power supply unit art. **1210** or **1210A**, a maximum of 1 main door entry monitor (**P**) and 3 secondary door entry monitors (**S**) can be programmed for each apartment.
 In systems with power supply unit art. **4888C**, 2 main door entry monitors (**P**) and 2 secondary door entry monitors (**S**) can be programmed for each apartment.
To program the door entry monitor as secondary, use the MyComelit app via NFC.

- ◆ **CFP floor door call input.**
 Where multiple door-entry phones or door entry monitors have the same user code, connect the CFP button on one only; all the devices will ring simultaneously.

Wiring diagrams

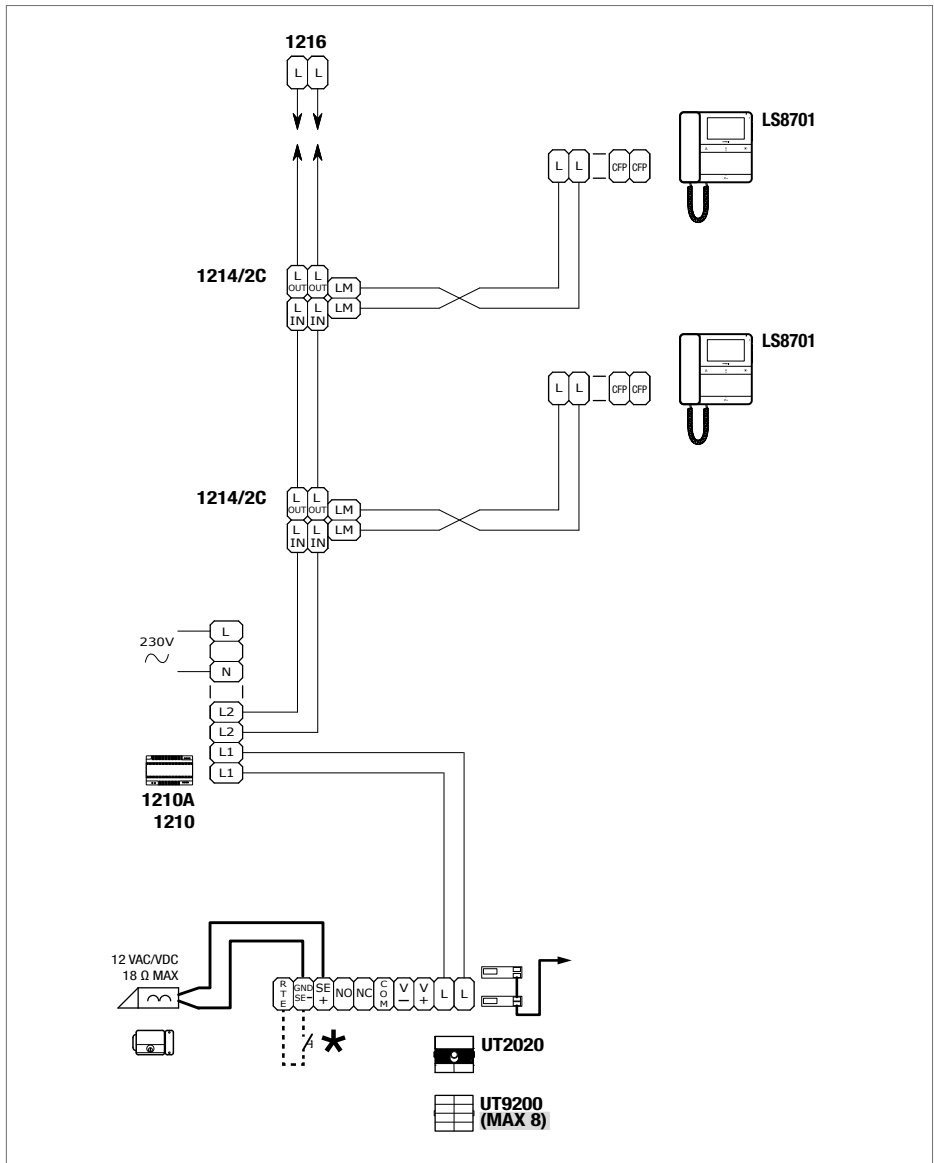
System with power supply unit art. 1210/1210A and operating distances



	A MAX	B MAX	C MAX	E MAX	H MAX	Art. 1216
Comelit Art. 4577/4579 1 mm ² (Ø 1.2 mm AWG 17) 	260 m (850 feet)	130 m (425 feet)	130 m (425 feet)		50 m (164 feet)	
UTP5 cat. 5 0.2 mm ² (Ø 0.5 mm AWG 24) 	80 m (260 feet)	40 m (130 feet)	40 m (130 feet)		30 m (98 feet)	
0.28 mm ² (Ø 0.6 mm AWG 23) 	100 m (328 feet)	50 m (164 feet)	50 m (164 feet)		30 m (98 feet)	
0.5 mm ² (Ø 0.8 mm AWG 20) 	140 m (460 feet)	70 m (230 feet)	70 m (230 feet)		30 m (98 feet)	
1 mm ² (Ø 1.2 mm AWG 17) 	200 m (656 feet)	100 m (328 feet)	100 m (328 feet)	30 m (98 feet)	40 m (130 feet)	
1.5 mm ² (Ø 1.4 mm AWG 15) 	80 m (260 feet)	40 m (130 feet)	40 m (130 feet)	50 m (164 feet)	30 m (98 feet)	
UTP5 cat. 5 0.2 mm ² (Ø 0.5 mm AWG 24) MULTI PAIR CABLE 						
 GREEN GREEN / WHITE ORANGE / WHITE ORANGE BLU BLU / WHITE BROWN / WHITE BROWN	260 m (850 feet)	130 m (425 feet)	130 m (425 feet)		50 m (164 feet)	

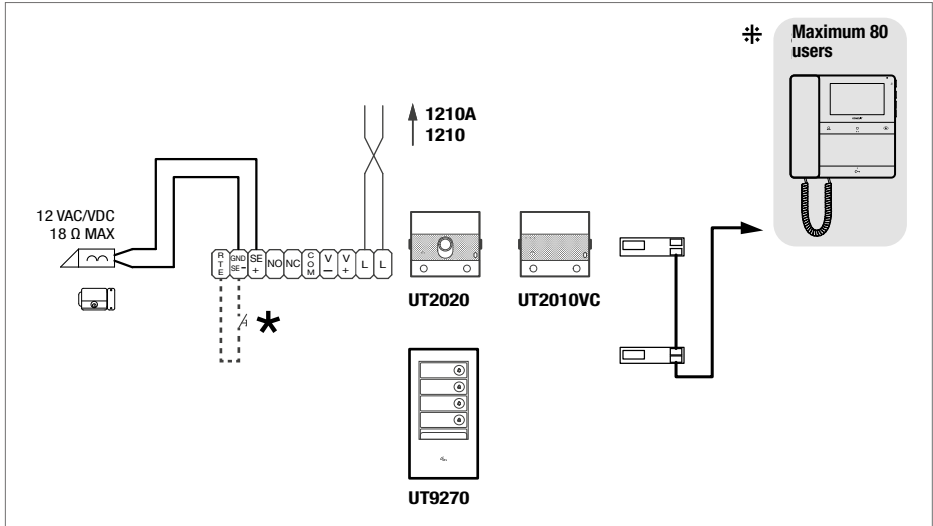
 UTP cable with multi-cable connection: FOLLOW THE COLOURS SHOWN IN THE DIAGRAM!

BASIC DIAGRAM



* 20 m max. Local door-opener button.

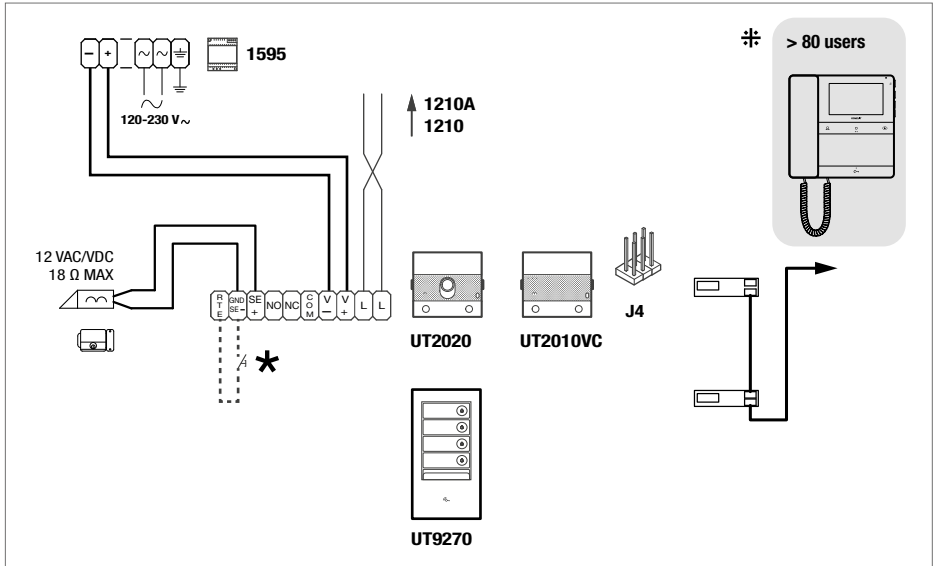
DIGITAL ENTRANCE PANEL VARIANT WITH TOUCH-SCREEN MODULE ART. UT9270



⚡ Max 20 m. Local door-opener button.

⚡ For systems with over 80 users, provide an additional power supply.

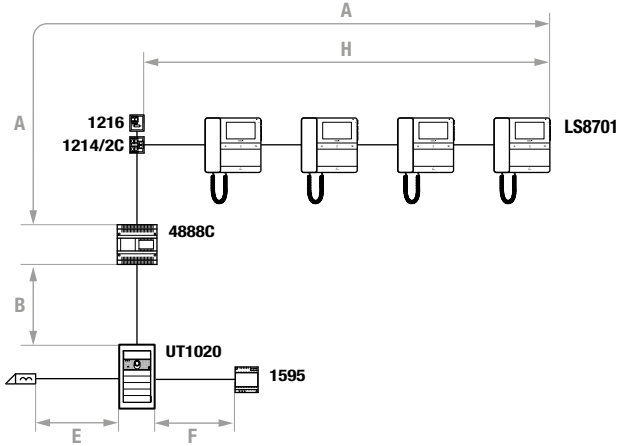
VARIANT WITH SEPARATE POWER SUPPLY



⚡ Max 20 m. Local door-opener button.

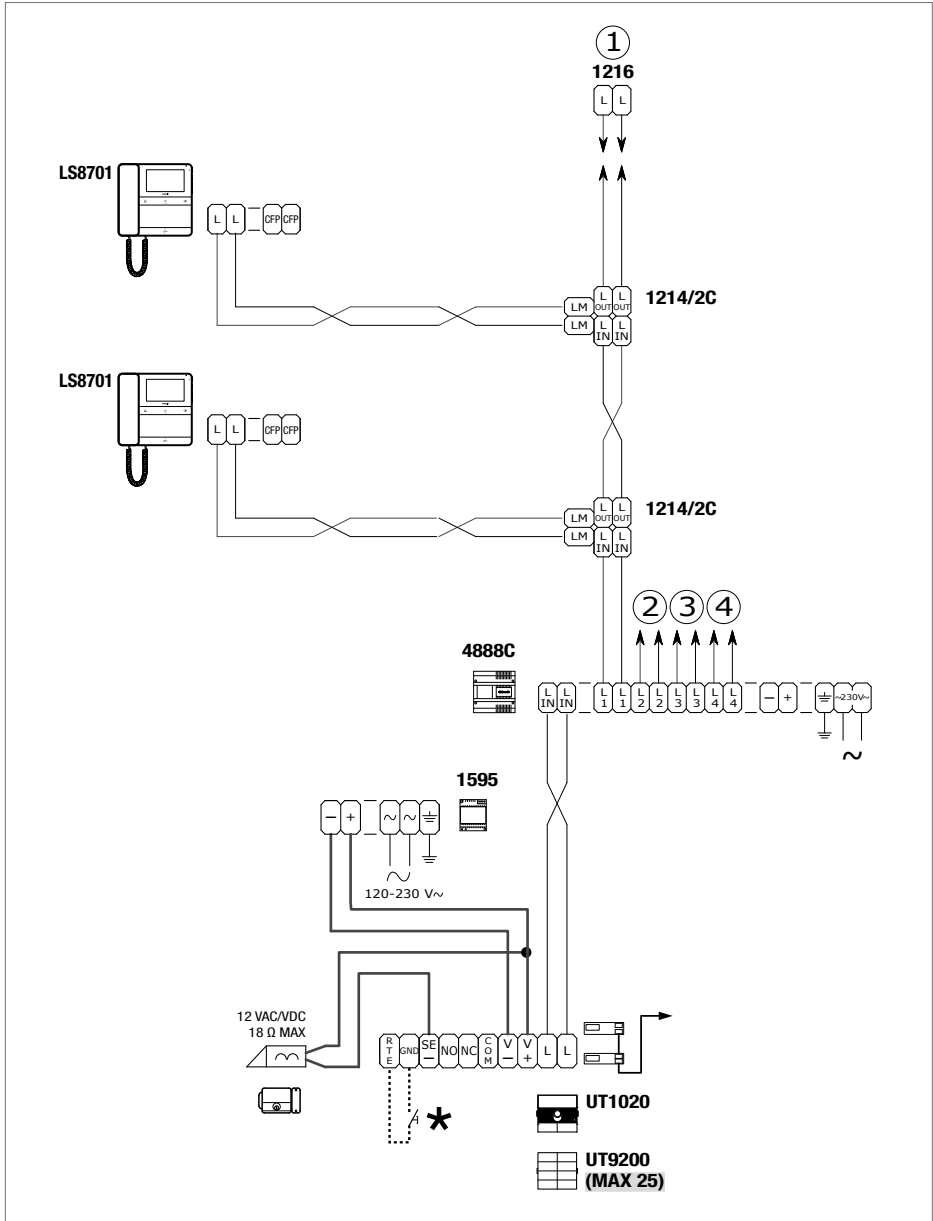
⚡ For systems with over 80 users, provide an additional power supply.

System with power supply unit art. 4888C and operating distances



	A MAX	B MAX	E MAX	F MAX	H MAX	Art.1216
Cornelit Art. 4577/4579 1 mm ² (Ø 1.2 mm AWG 17) 	200 m (650 feet)	200 m (650 feet)		50 m (165 feet)	100 m (330 feet)	
UTP5 cat. 5 0.2 mm ² (Ø 0.5 mm AWG 24) 	80 m (260 feet)	150 m (490 feet)			60 m (195 feet)	
0.28 mm ² (Ø 0.6 mm AWG 23) 	100 m (330 feet)	150 m (490 feet)		5 m (15 feet)	60 m (195 feet)	
0.5 mm ² (Ø 0.8 mm AWG 20) 	120 m (395 feet)	100 m (330 feet)		25 m (85 feet)	60 m (195 feet)	
1 mm ² (Ø 1.2 mm AWG 17) 	120 m (395 feet)	150 m (490 feet)	30 m (98 feet)	50 m (165 feet)	60 m (195 feet)	
1 mm ² (Ø 1.2 mm AWG 17) 	120 m (395 feet)	80 m (260 feet)		50 m (165 feet)	40 m (130 feet)	
1.5 mm ² (Ø 1.4 mm AWG 15) 	150 m (490 feet)	100 m (330 feet)	50 m (165 feet)	75 m (245 feet)	60 m (195 feet)	
2.5 mm ² (Ø 1.8 mm AWG 13) 	150 m (490 feet)	100 m (330 feet)		100 m (330 feet)	60 m (195 feet)	

BASIC DIAGRAM



★ 20 m max. Local door-opener button.

Warning

Intended use

This Comelit product is designed and manufactured for use in the creation of audio and video communication systems in residential, commercial, industrial and public buildings.

Installation

All activities connected to the installation of Comelit products must be carried out by qualified technical personnel, with careful observation of the indications provided in the Manuals / Instruction sheets supplied with those products. The product must be installed to the highest standards.

Wires

Disconnect the power supply before carrying out any operations on the wiring. Use wires with a cross-section suited to the distances involved, observing the instructions provided in the system manual. We advise against running the system wires through the same duct as power cables (230V or higher).

Safe usage

To ensure Comelit products are used safely:

- carefully observe the indications provided in the Manuals / Instruction sheets,
- make sure the system created using Comelit products has not been tampered with / damaged.

Maintenance

Comelit products do not require maintenance aside from routine cleaning, which should be carried out in accordance with the indications provided in the Manuals / Instruction sheets.

Any repairs must be carried out:

- for the products themselves, exclusively by **Comelit Group S.p.A.**,
- for the systems, by qualified technical personnel.

Do not use alcohol or aggressive products for cleaning purposes.

Disclaimer

Comelit Group S.p.A. does not assume any responsibility for

- any purpose other than the intended use,
- failure to observe the indications and warnings contained in this Manual / Instruction sheet.

Comelit Group S.p.A. reserves the right to change the information provided in this Manual / Instruction Sheet at any time and without prior notice.

Directives



The manufacturer, **Comelit Group S.p.A.**, hereby declares that this equipment conforms to the applicable directives. The full EU conformity declaration is available on the web page for the product.



In accordance with art. 26 of Italian Legislative Decree dated 14th March 2014, no. 49 "Implementation of directive 2012/19/EU on Waste Electrical and Electronic Equipment (WEEE)", the "crossed-out wheelee bin" symbol indicates that at the end of its useful life, this product must be separated from other waste before collection for disposal. The user should therefore take the exhausted appliance to suitable local collection centres for waste electrical and electronic products. As an alternative to handling this process yourself, you can take the appliance to your local equipment dealer when purchasing a new equivalent product. Electronics dealership businesses covering an area of 400 m² are also obliged to accept waste electronic products smaller than 25 cm for disposal, without any obligation to purchase. Suitable separated waste collection for the subsequent reuse of the appliance sent for recycling, processing and environmentally conscious disposal helps to avoid potential negative effects on the environment and human health, and encourages the reuse and recycling of the materials used in the construction of the appliance.



CERTIFIED MANAGEMENT SYSTEMS



www.comelitgroup.com

Via Don Arrigoni, 5 - 24020 Rovetta (BG) - Italy

1st edition 01/2024
code 2G40003103