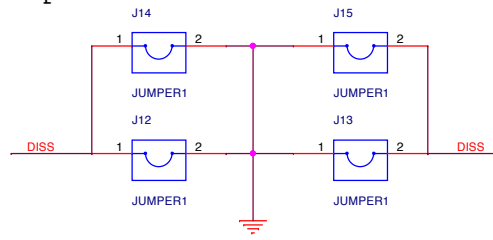
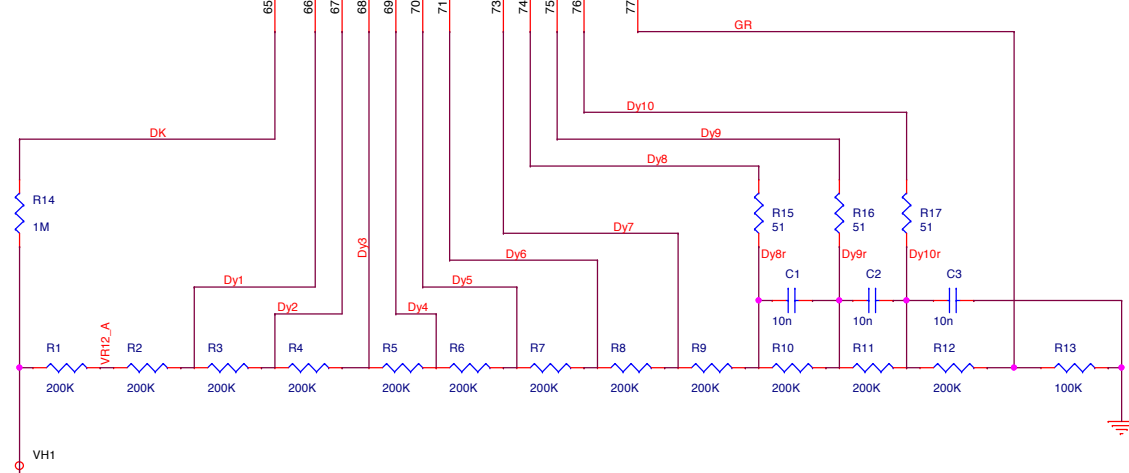
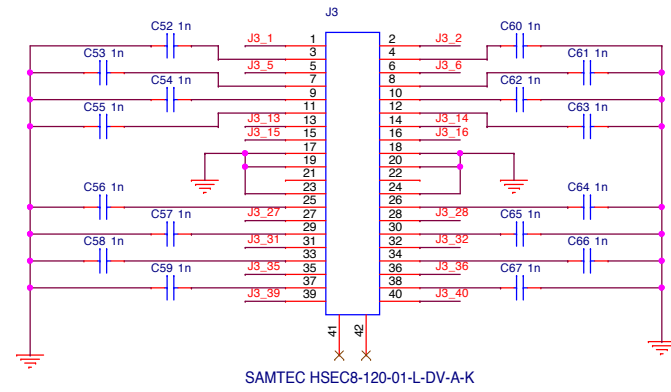
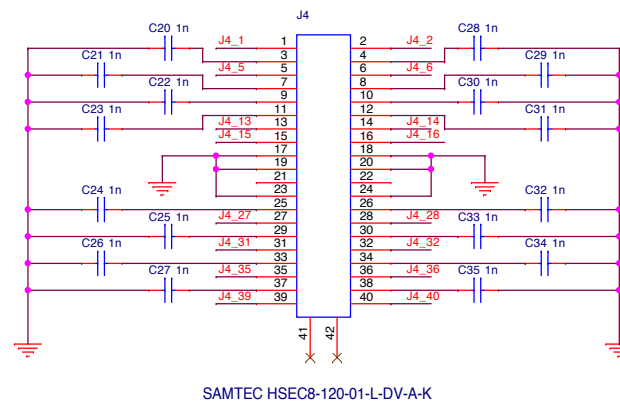
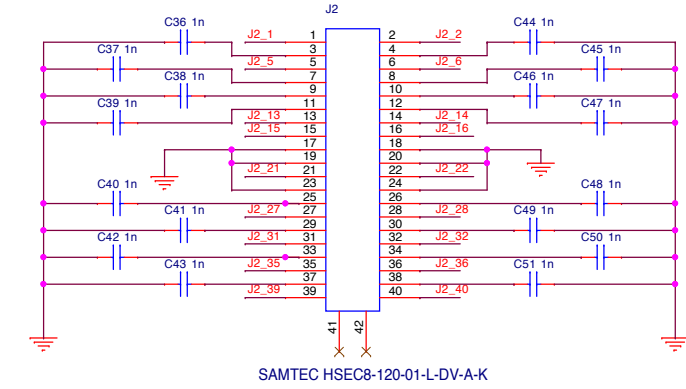
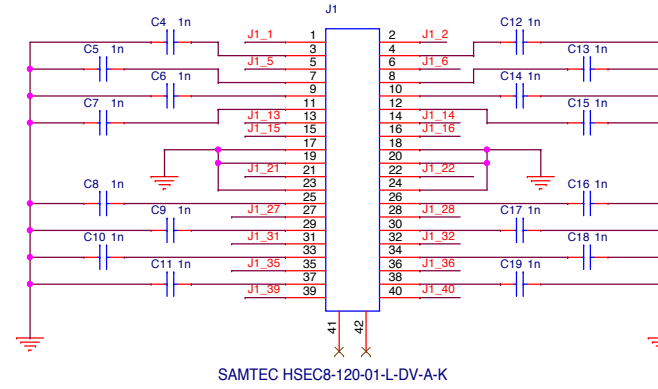
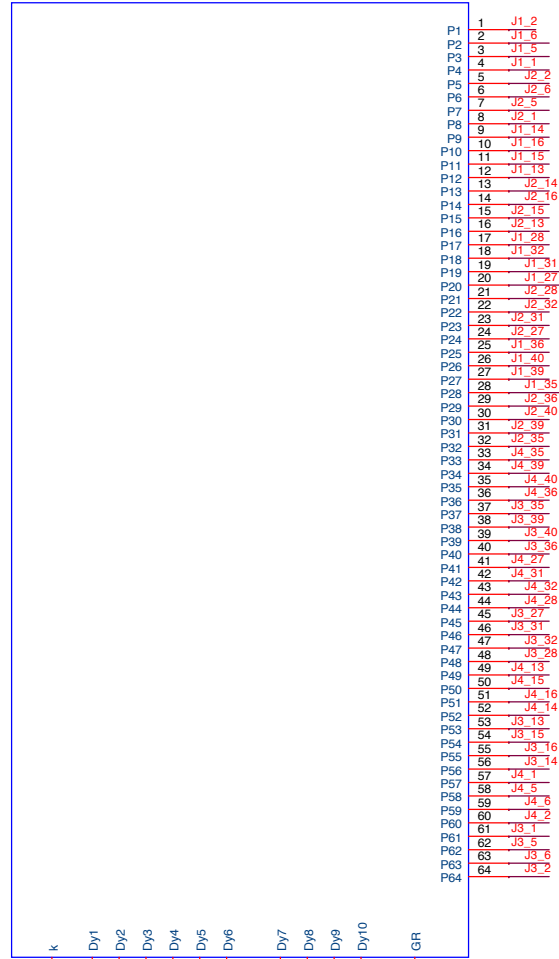


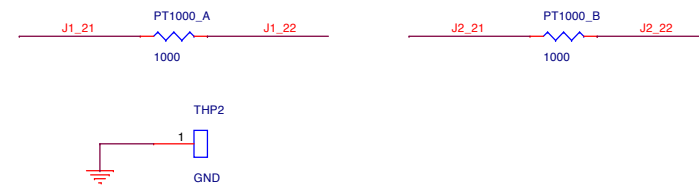
Jumper a saldare GND to DISSIPATORE



PMT_A
PMT_R12699



Termoresistenze PT 1000



PADS PER COASSIALE HV

