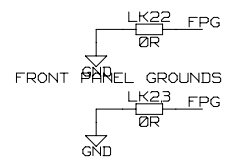
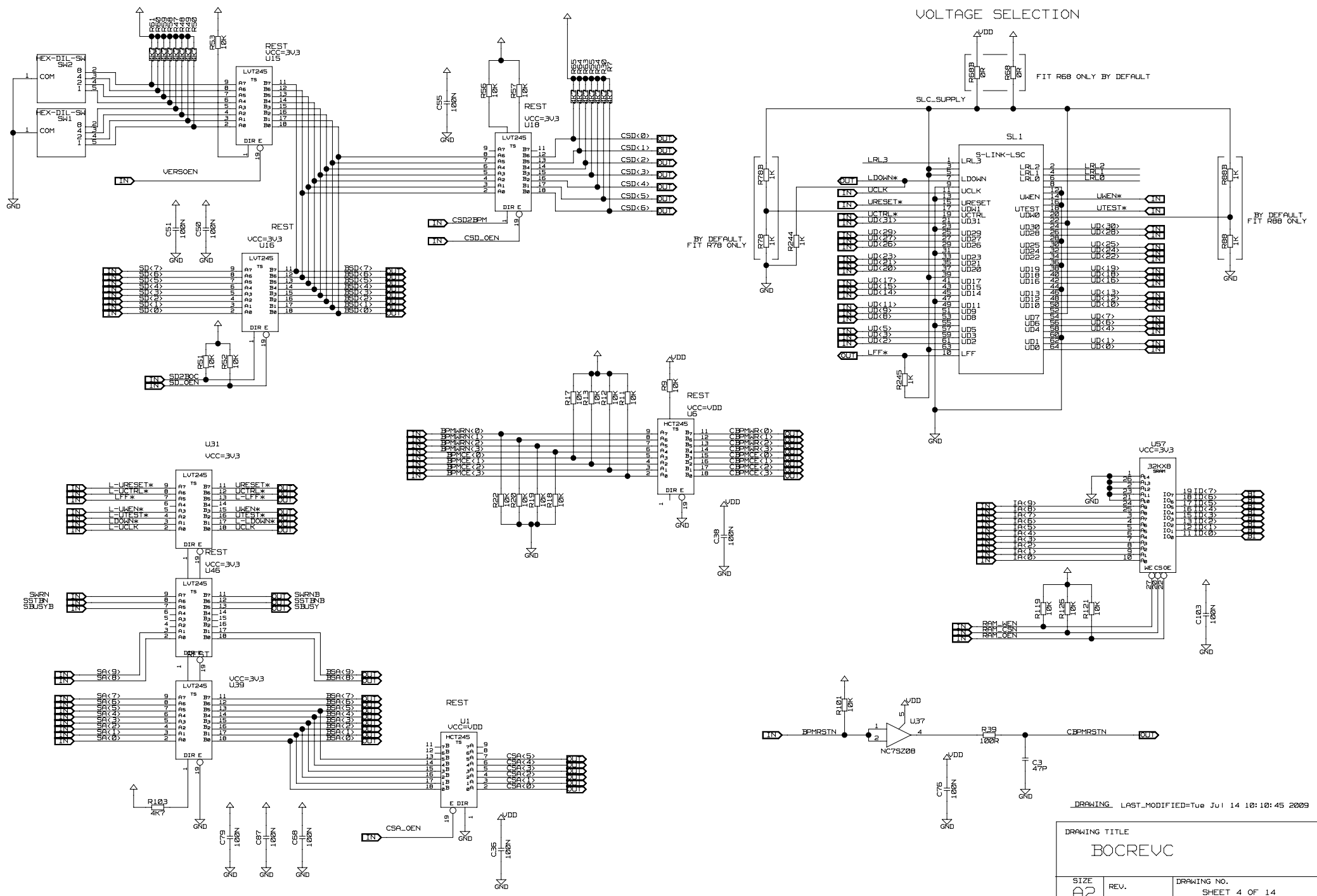
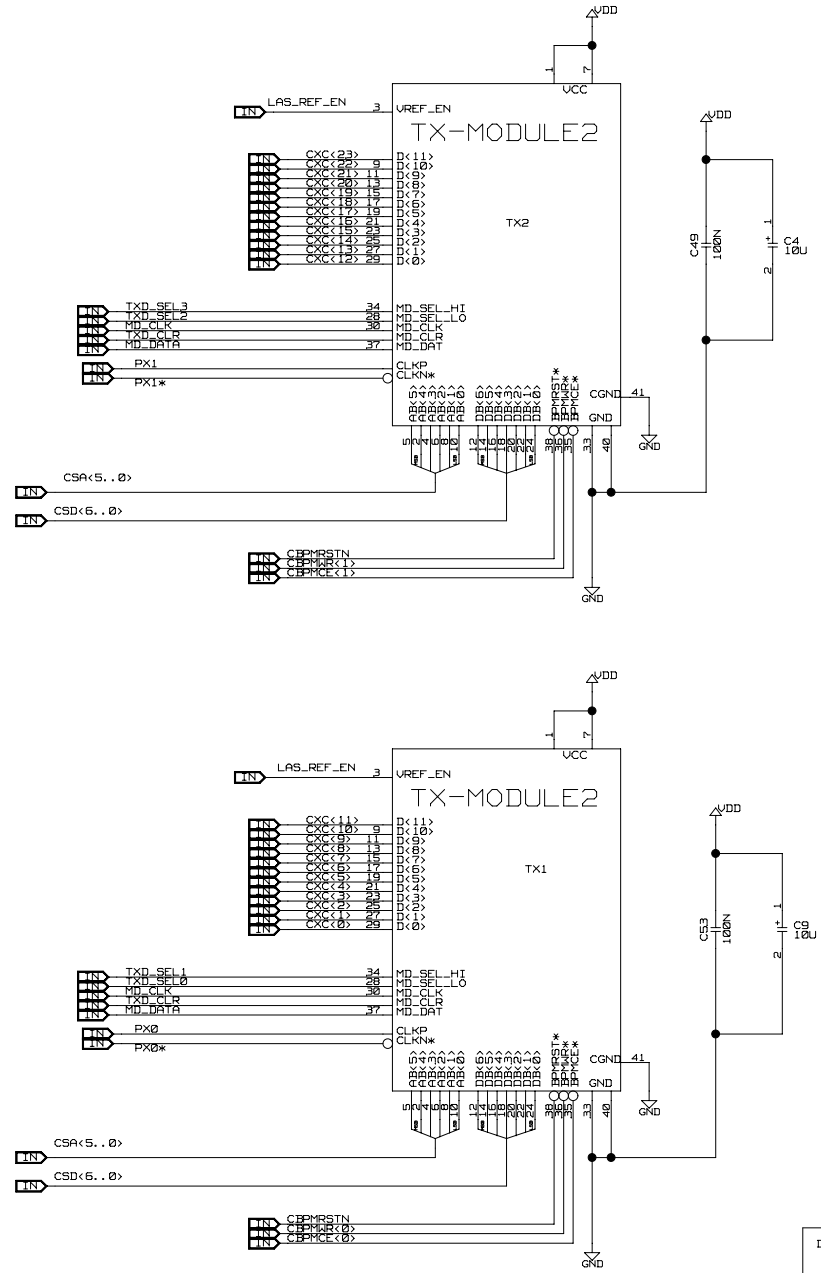
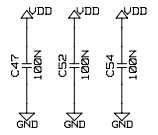
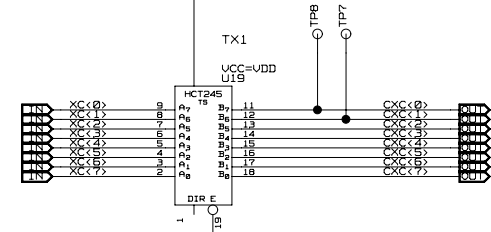
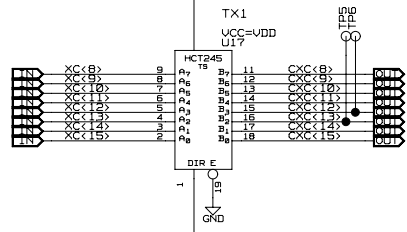
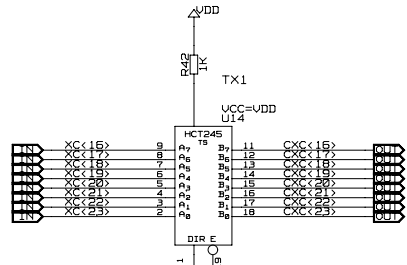


LK3, 4, 5, 6, 8 - SCOPE GROUNDS



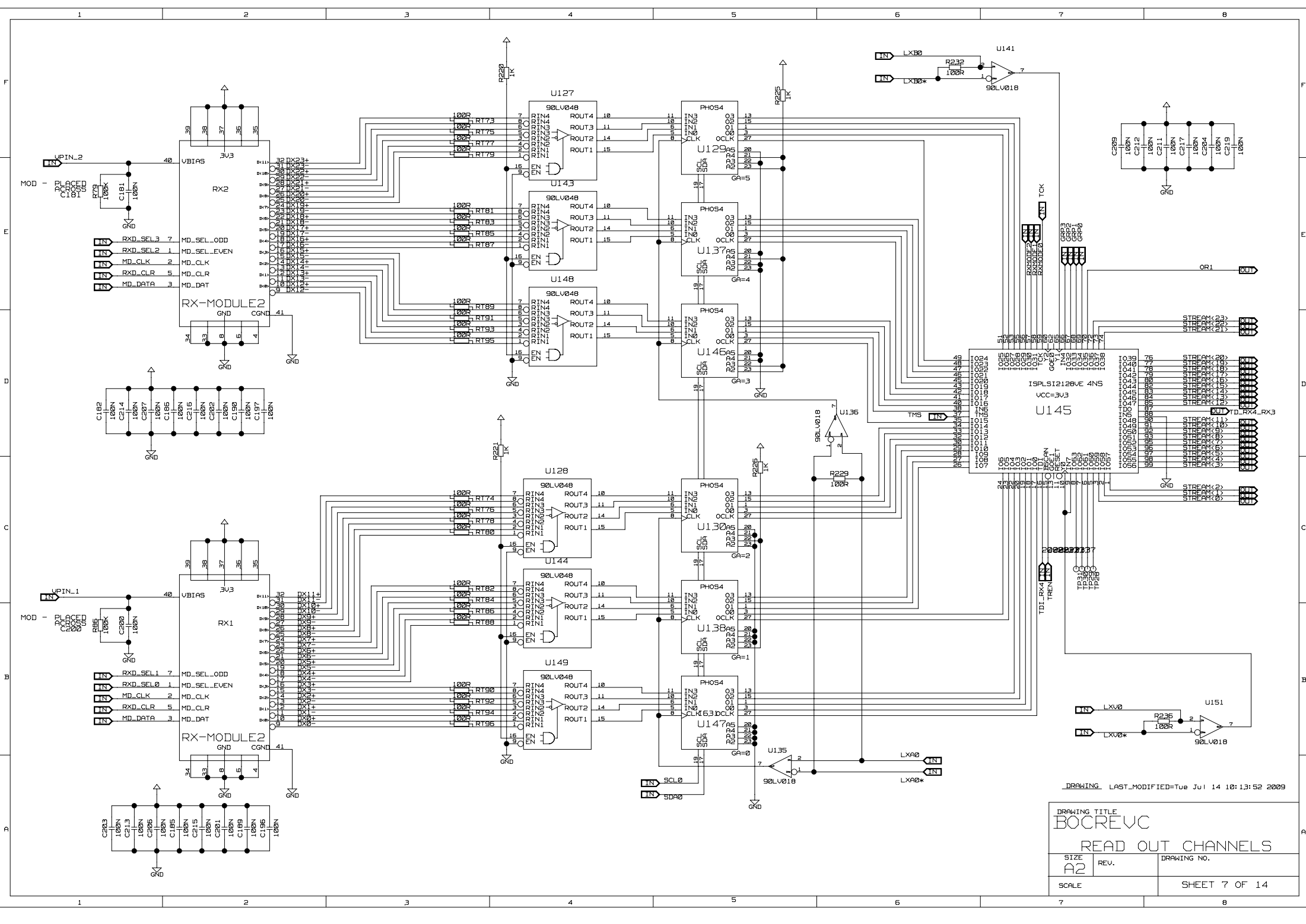
A3	TITLE: BOCC_BOCREUC I/O CONNECTIONS	ENGINEER:
	DATE: Mon Mar 01 13:19:33 2010	PAGE: 1 OF 14





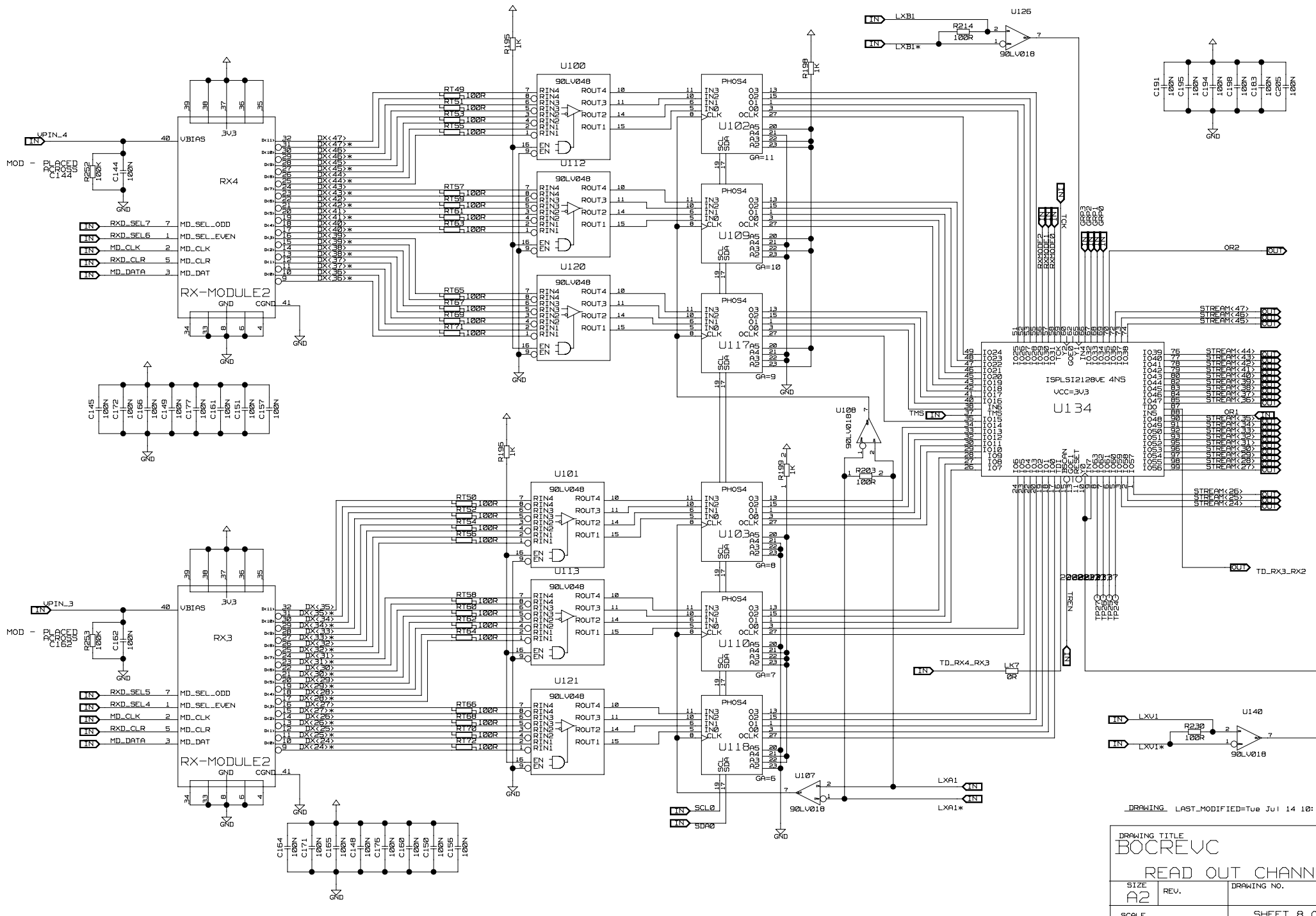
DRAWING LAST_MODIFIED=Thu Jul 14 11:26:44 2009

DRAWING TITLE		
BOCREVC		
SIZE	REV.	DRAWING NO.
A2		
SCALE		SHEET 5 OF 14



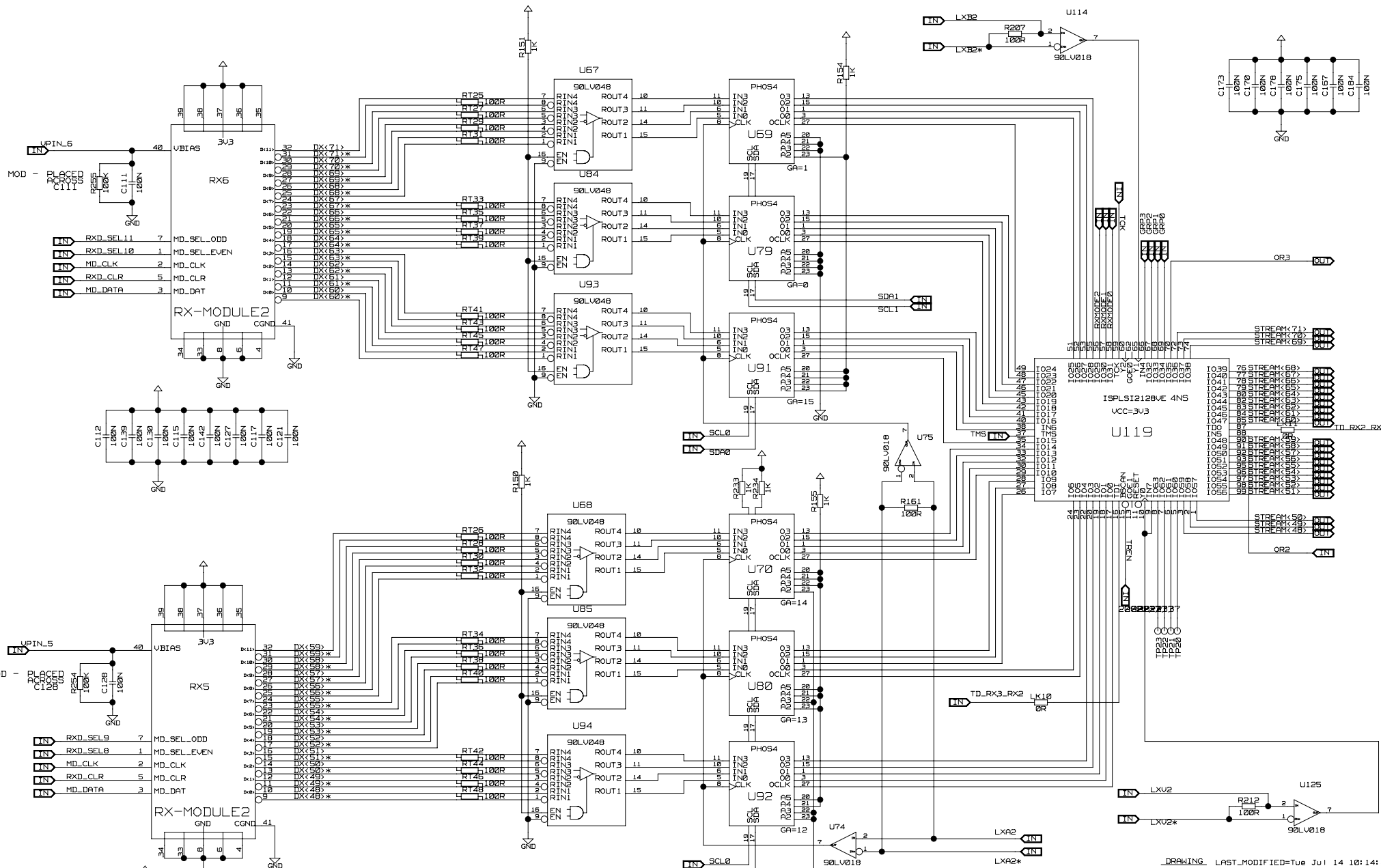
DRAWING LAST_MODIFIED=Tue Jul 14 10:13:52 2009

DRAWING TITLE		
BOCREVC		
READ OUT CHANNELS		
SIZE	REV.	DRAWING NO.
A2		
SCALE		SHEET 7 OF 14



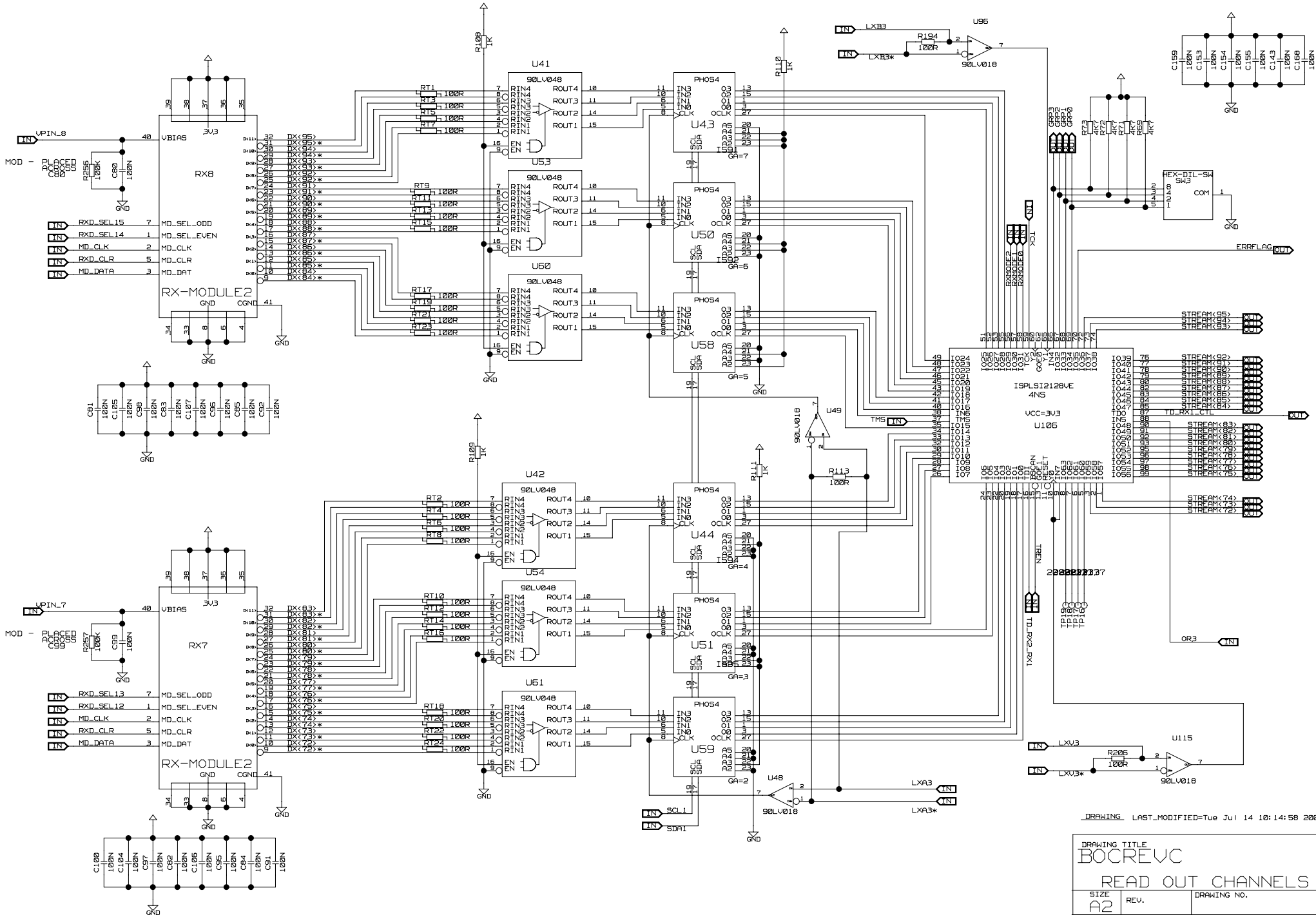
DRAWING LAST_MODIFIED=Tue Jul 14 10:14:18 2009

DRAWING TITLE		
BOCREVC		
READ OUT CHANNELS		
SIZE	REV.	DRAWING NO.
A2		
SCALE		SHEET 8 OF 14



DRAWING LAST_MODIFIED=Tue Jul 14 10:14:40 2009

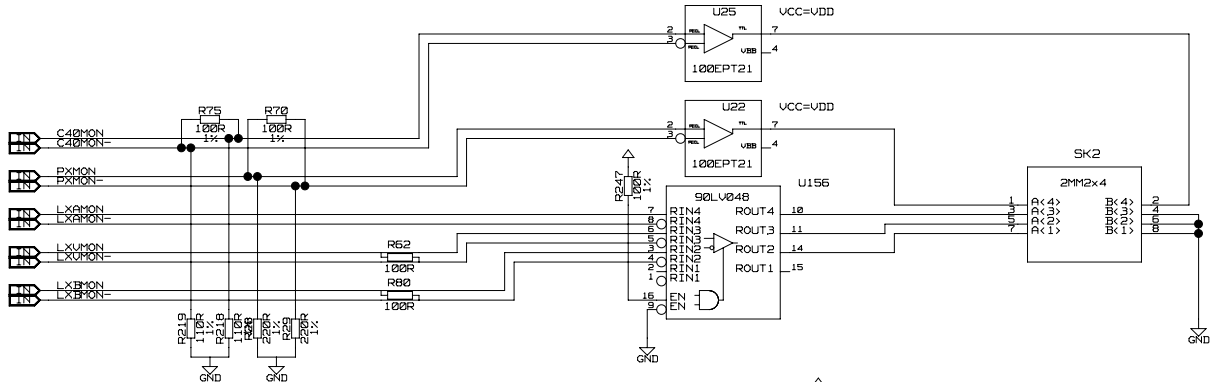
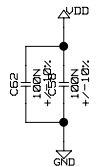
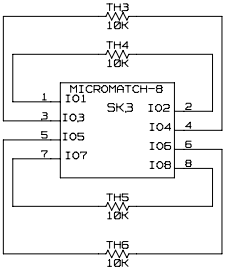
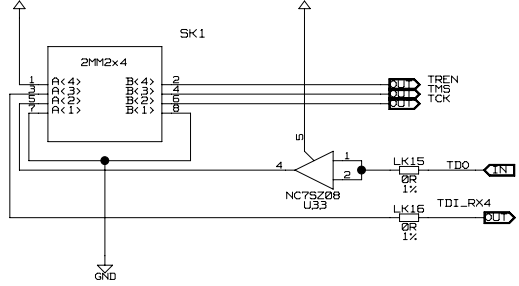
DRAWING TITLE		
BOCREVC		
READ OUT CHANNELS		
SIZE	REV.	DRAWING NO.
A2		
SCALE		SHEET 9 OF 14



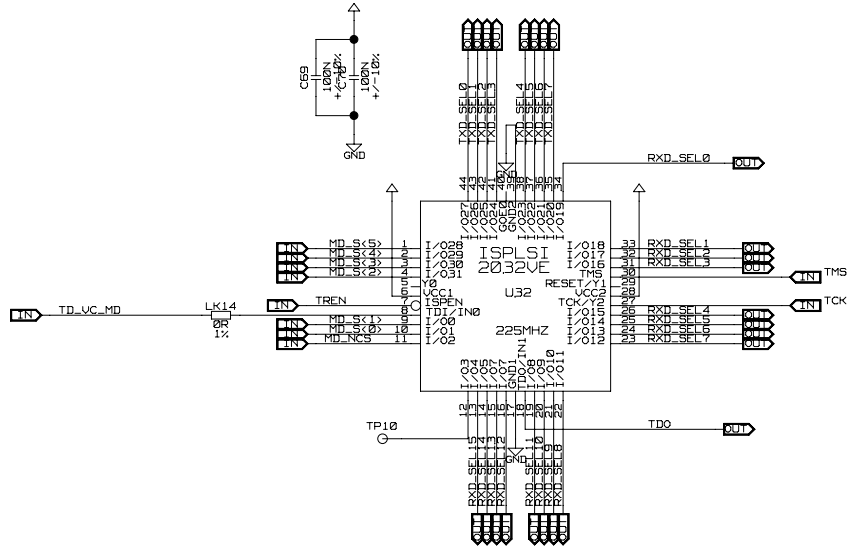
DRAWING_LAST_MODIFIED= Tue Jul 14 10:14:58 2009

DRAWING TITLE		BOCREVC	
SIZE		A2	
REV.	DRAWING NO.		
SCALE	SHEET 10 OF 14		

C71
100n
+/-10%

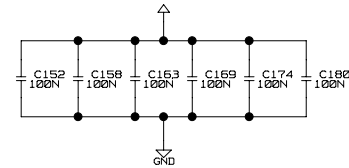
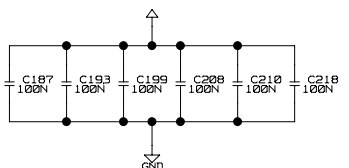
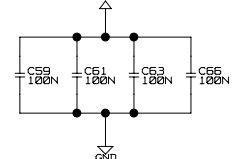
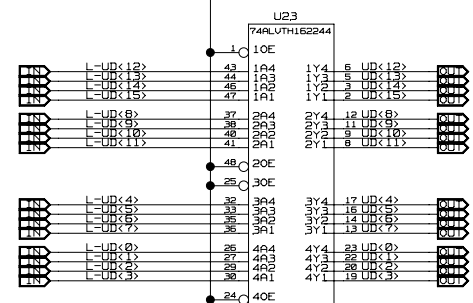
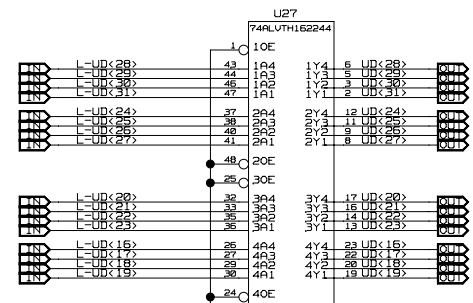
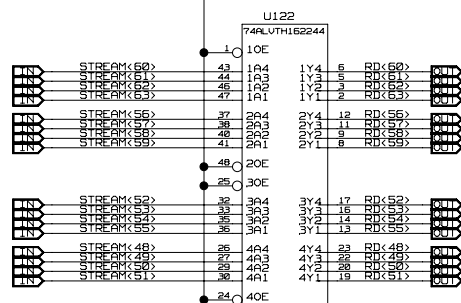
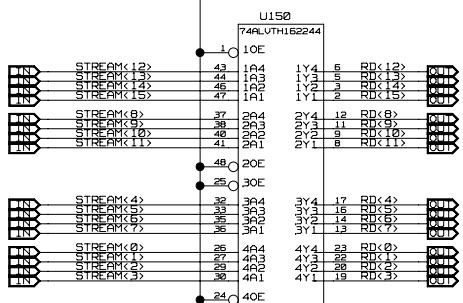
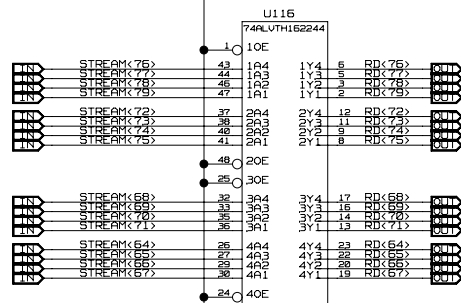
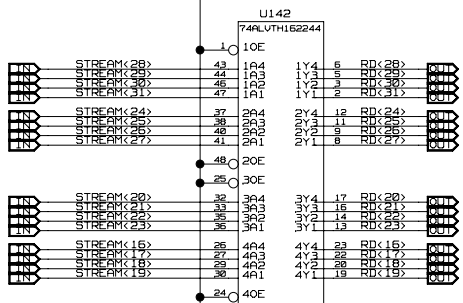
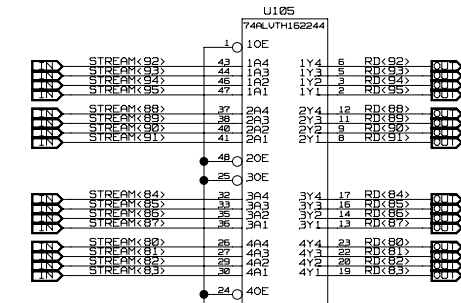
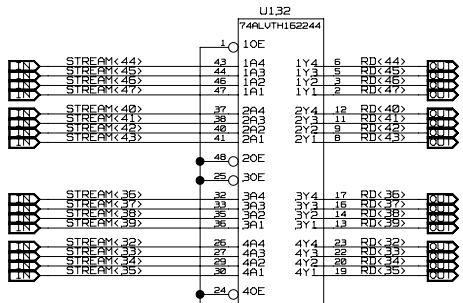


C67
100n
+/-10%



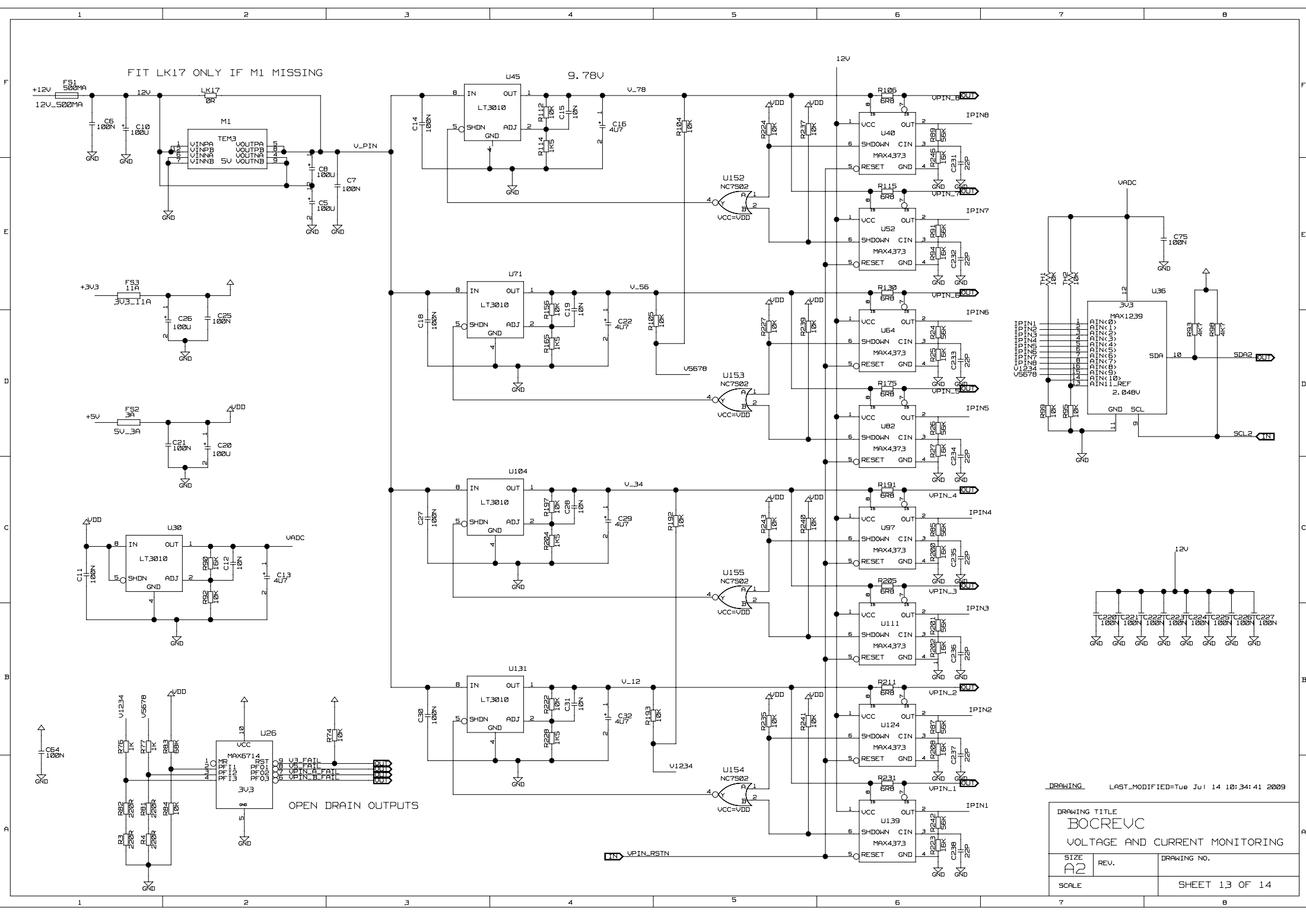
DRAWING LAST_MODIFIED=Tue Jul 14 10:31:56 2009

DRAWING TITLE		
BOCREVC		
RX / TX DAC CIRCUITRY		
SIZE	REV.	DRAWING NO.
A2		
SCALE		SHEET 11 OF 14



DRAWING LAST_MODIFIED=Tue Jul 14 11:17:22 2009

DRAWING TITLE		
BOCREVC		
READ OUT CHANNELS		
SIZE	REV.	DRAWING NO.
A2		
SCALE		SHEET 12 OF 14



FIT LK17 ONLY IF M1 MISSING

9.78V

OPEN DRAIN OUTPUTS

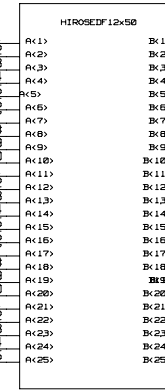
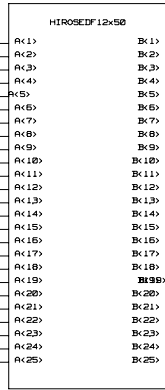
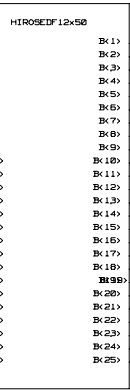
DRAWING LAST_MODIFIED=Tue Jul 14 10:34:41 2009

DRAWING TITLE		
BOCREVC		
VOLTAGE AND CURRENT MONITORING		
SIZE	REV.	DRAWING NO.
A2		
SCALE		SHEET 13 OF 14

J3

J2

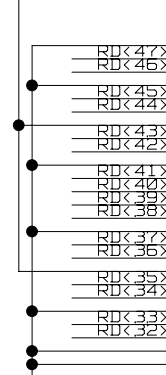
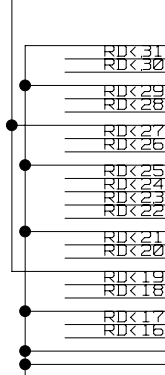
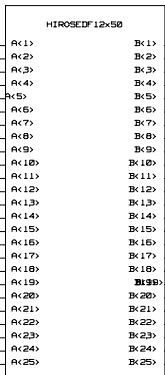
J1



J6

J5

J4



DRAWING

TITLE: SMD CONNECTORS FOR PIXEL STREAM RE-MAPPING REPLACES 74ALVTH162244	ENGINEER:
DATE: LAST_MODIFIED=Mon, Mar 01 14:10:08 2010	PAGE: