

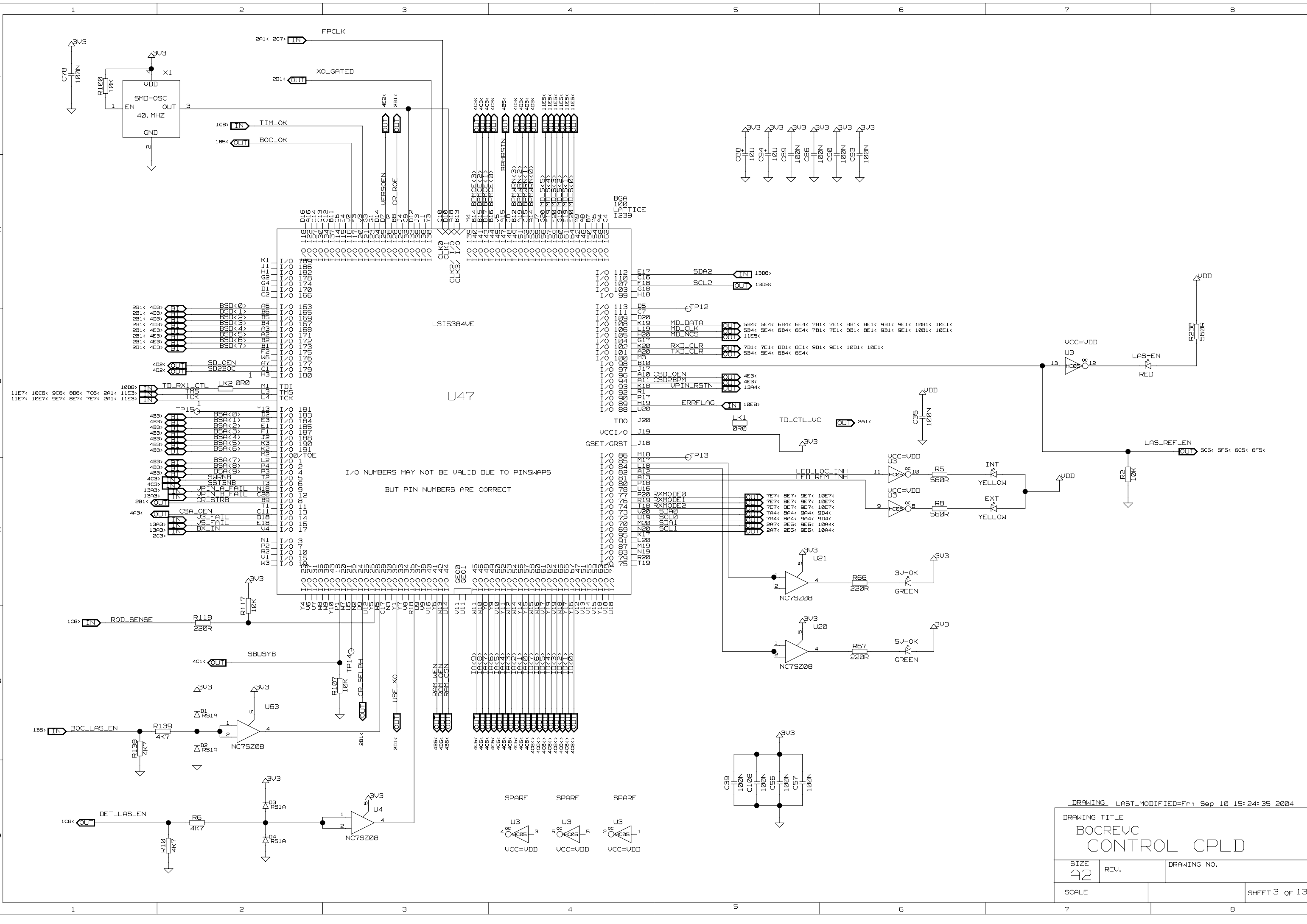
TITLE: BOCREVC I/O CONNECTIONS  
 ENGINEER:  
 DATE:  
 PAGE: 1 OF 13

DRAWING\_LAST\_MODIFIED=Fri Sep 10 15:23:29 2004

LK3, 4, 5, 6, 8 - SCOPE GROUNDS

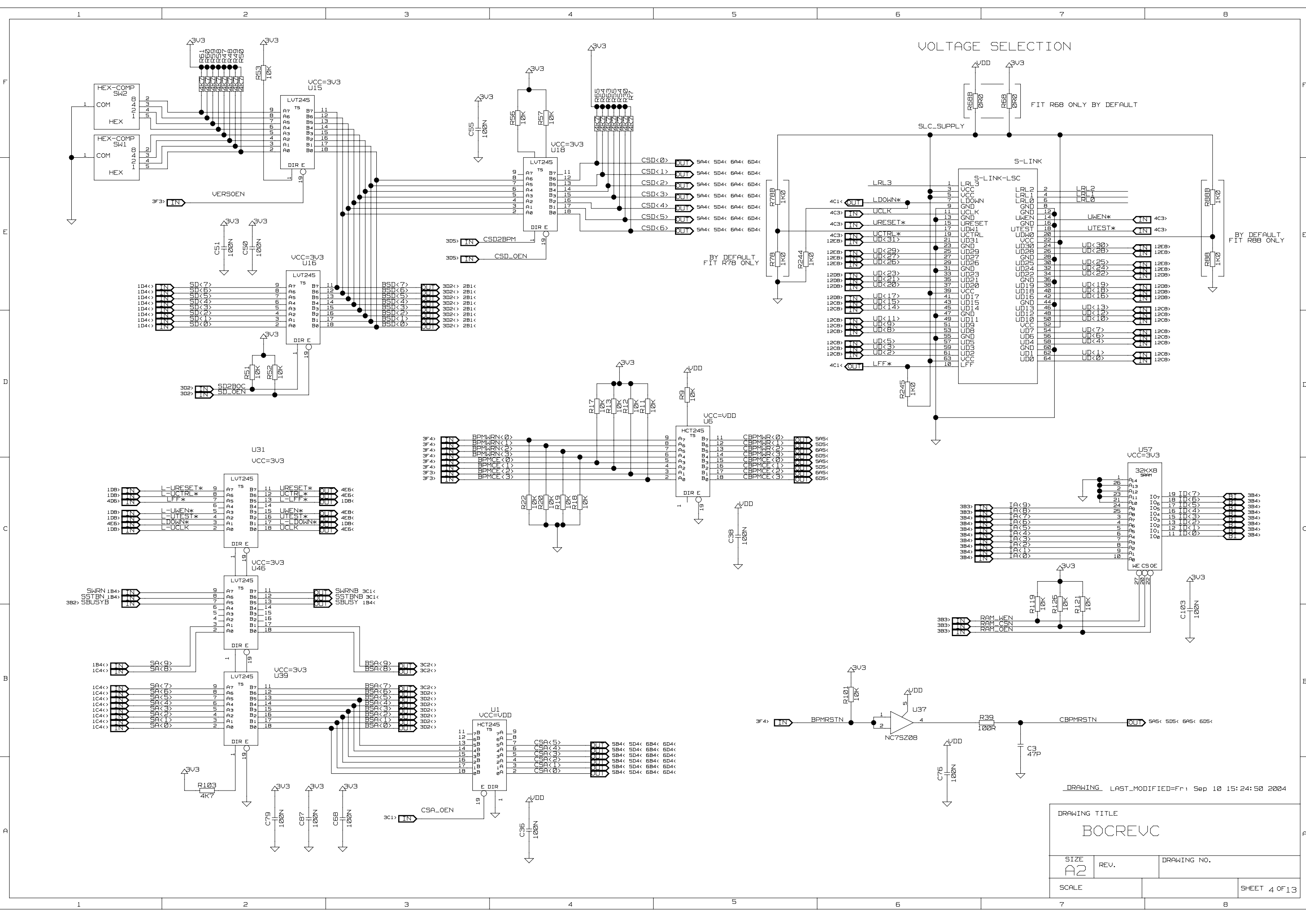
LK22 FPG\_1A5<  
 0R0  
 FRONT PANEL GROUNDS  
 LK23 FPG\_1A5<  
 0R0





DRAWING TITLE		
BOCREVC CONTROL CPLD		
SIZE	REV.	DRAWING NO.
A2		
SCALE	SHEET 3 OF 13	

DRAWING LAST\_MODIFIED=Fri Sep 10 15:24:35 2004



VOLTAGE SELECTION

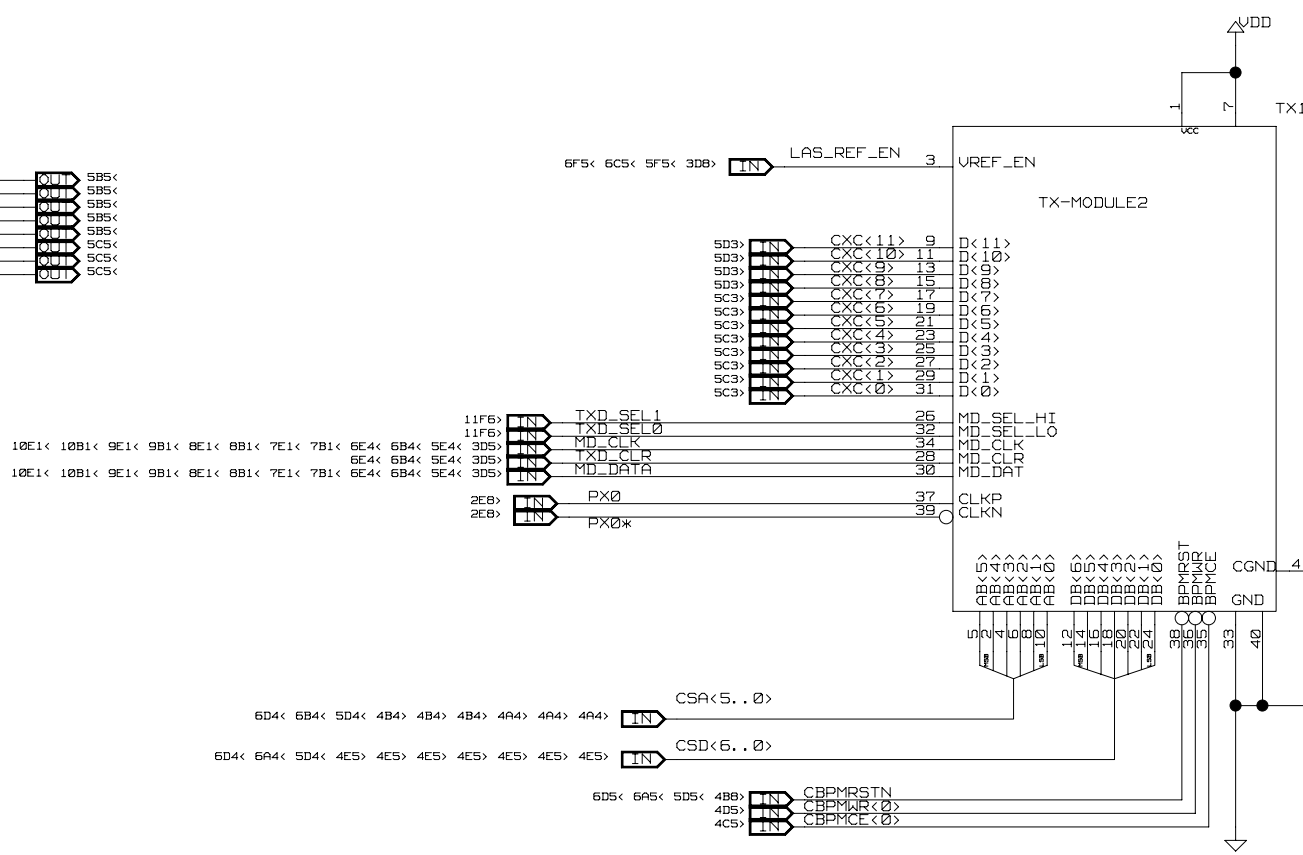
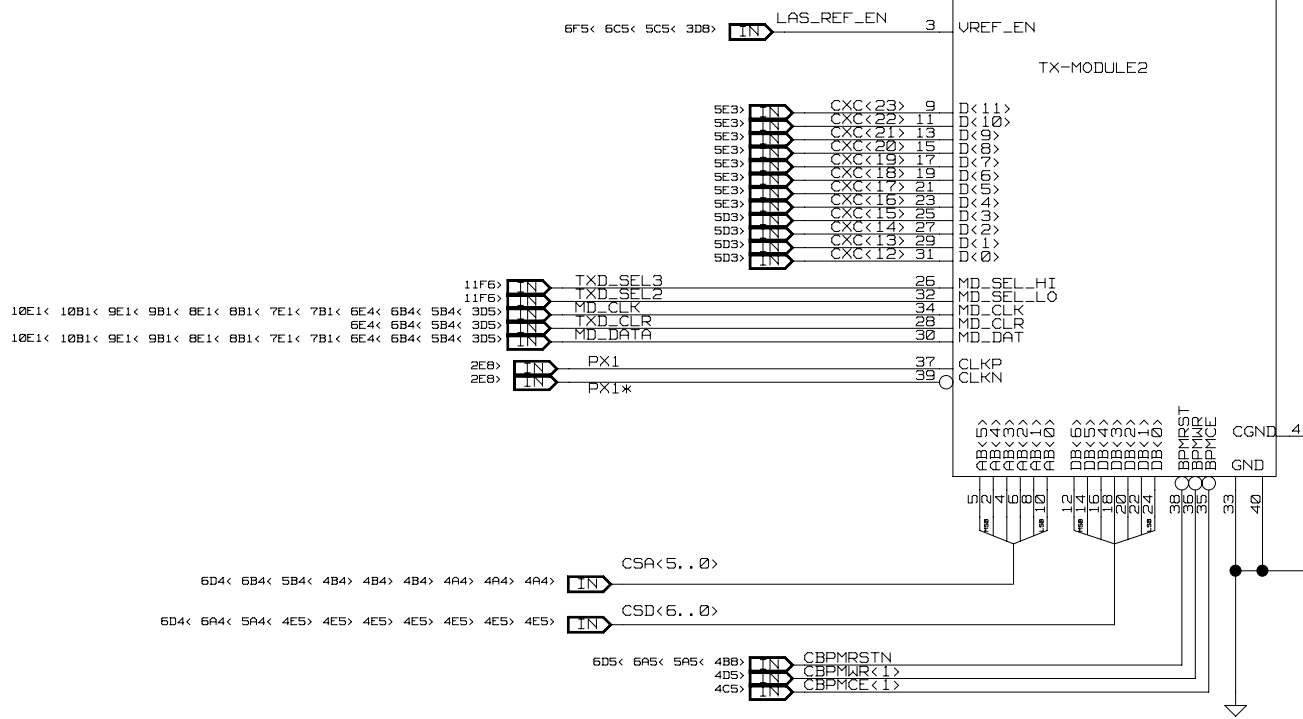
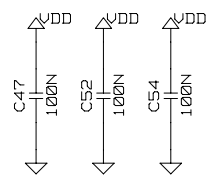
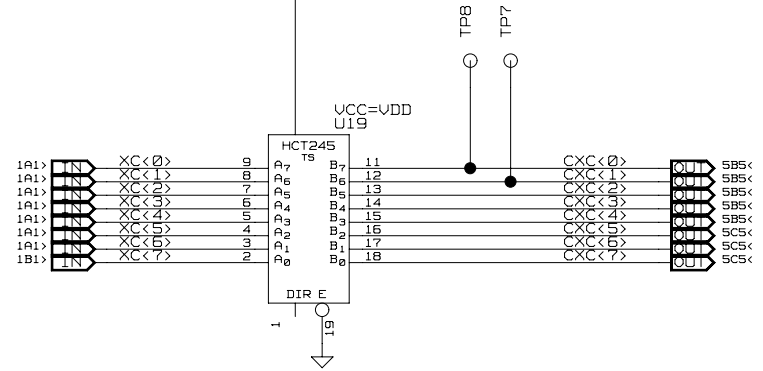
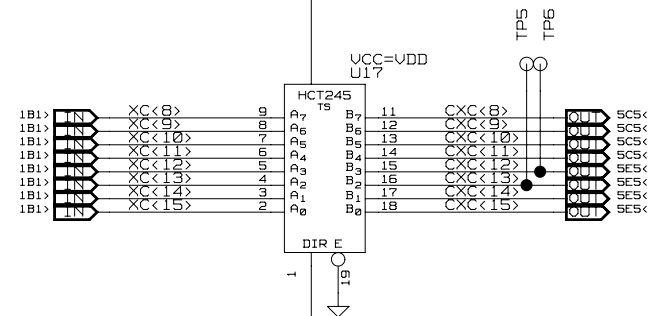
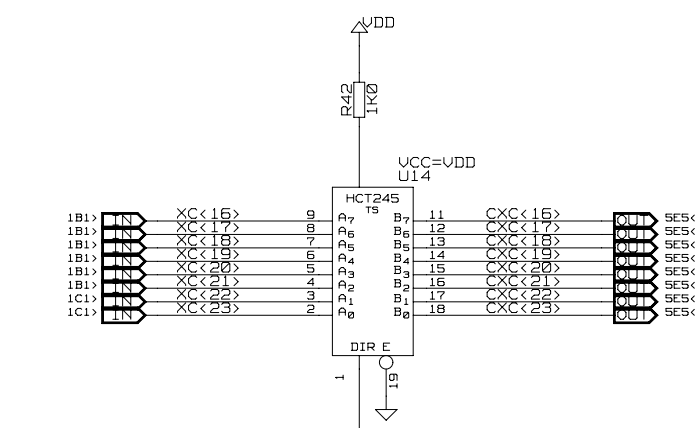
FIT R6B ONLY BY DEFAULT

BY DEFAULT FIT R7B ONLY

BY DEFAULT FIT R6B ONLY

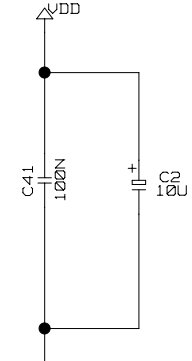
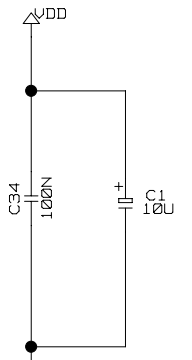
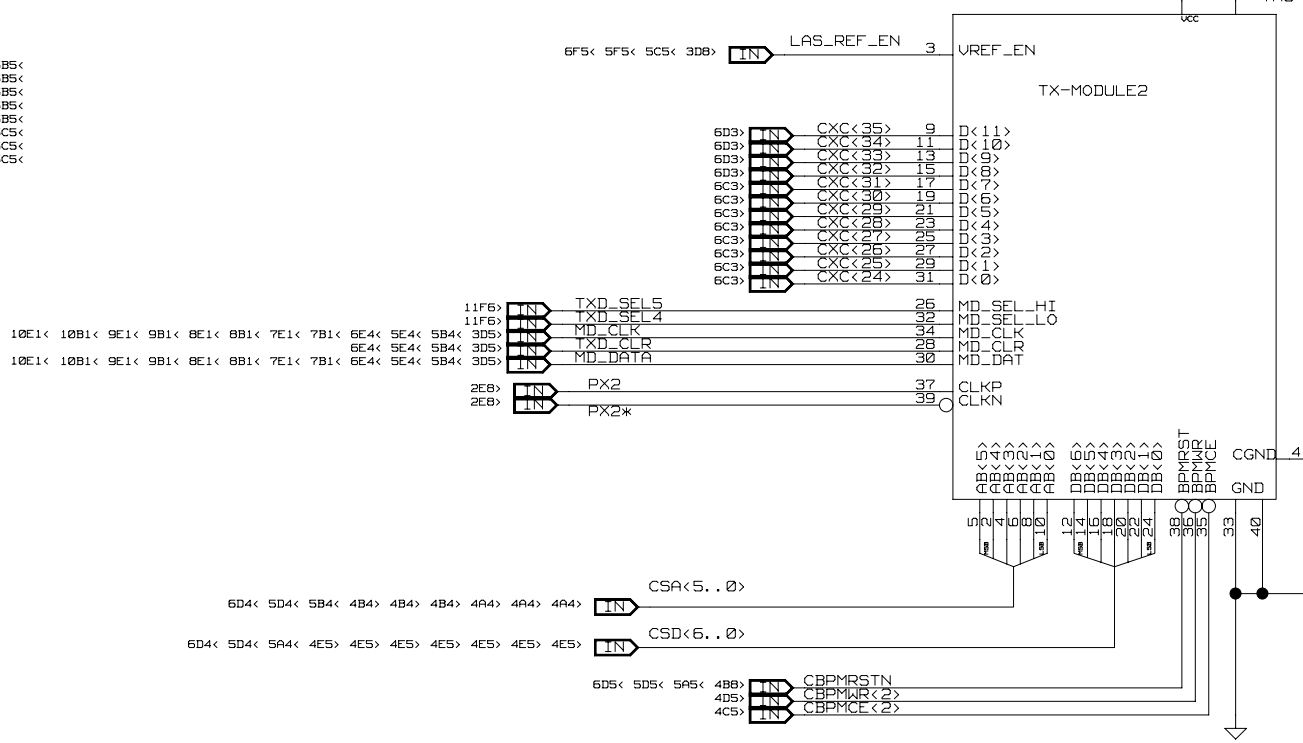
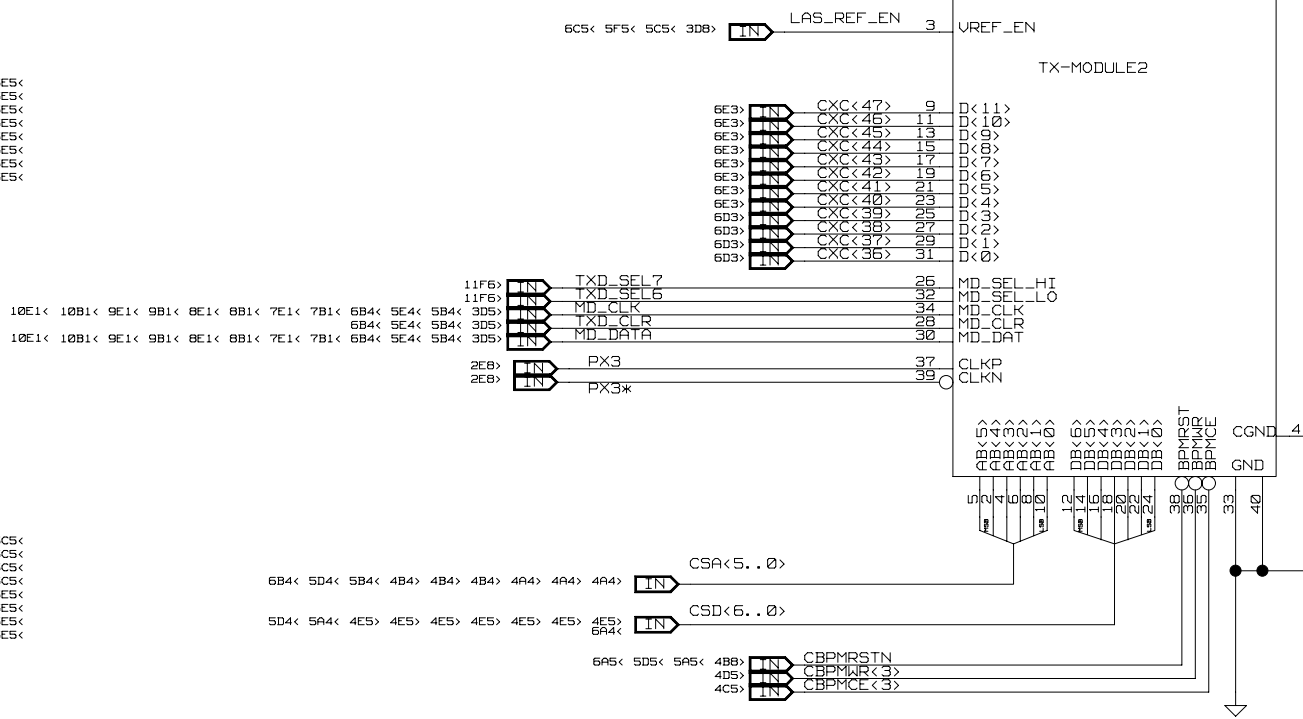
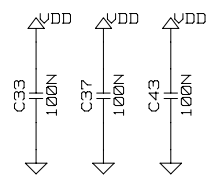
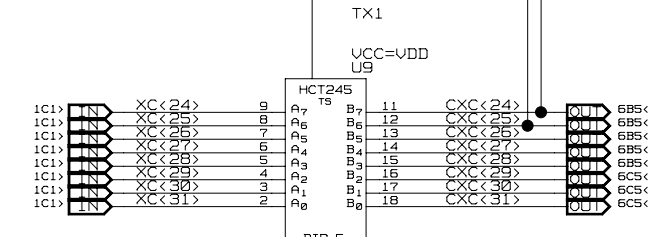
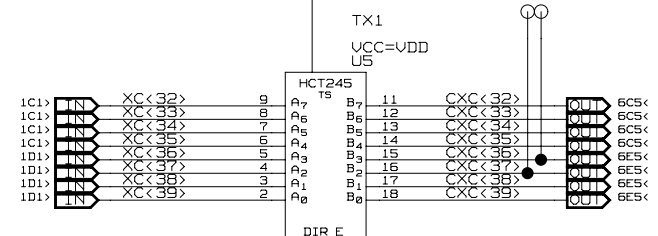
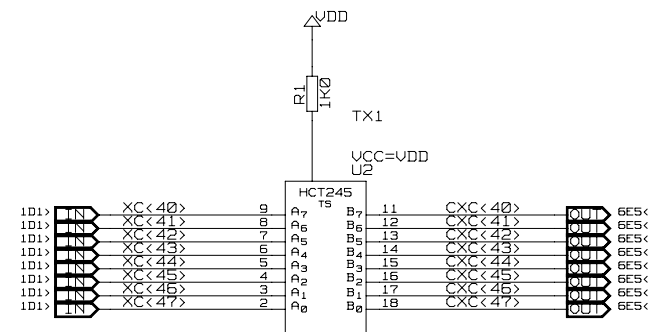
DRAWING LAST\_MODIFIED=Fri Sep 10 15:24:50 2004

DRAWING TITLE		
BOCREVC		
SIZE	REV.	DRAWING NO.
A2		
SCALE		
	SHEET 4 OF 13	



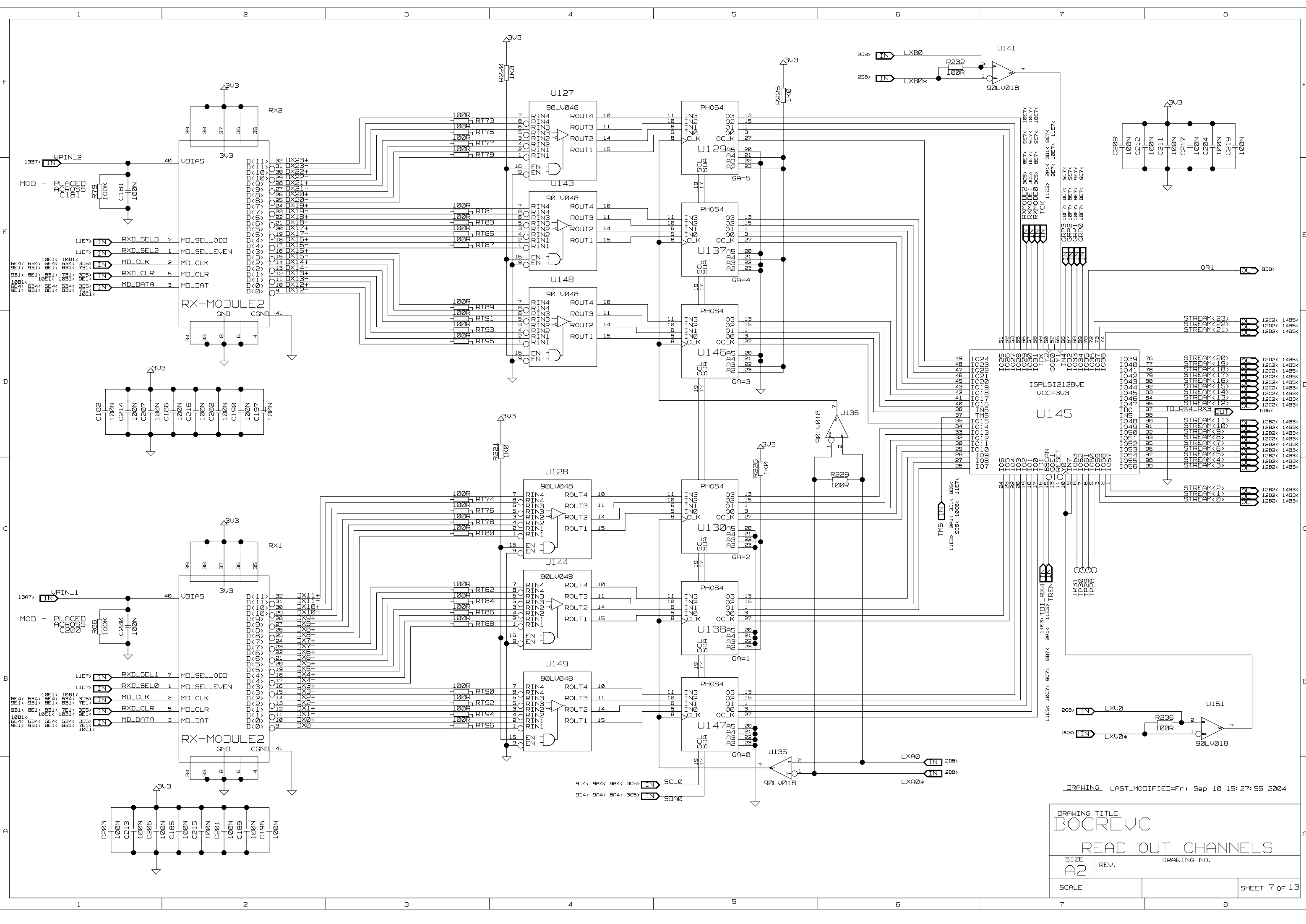
DRAWING LAST\_MODIFIED=Fri Sep 10 15:26:33 2004

DRAWING TITLE		
BOCREVC		
SIZE	REV.	DRAWING NO.
A2		
SCALE		SHEET 5 OF 13



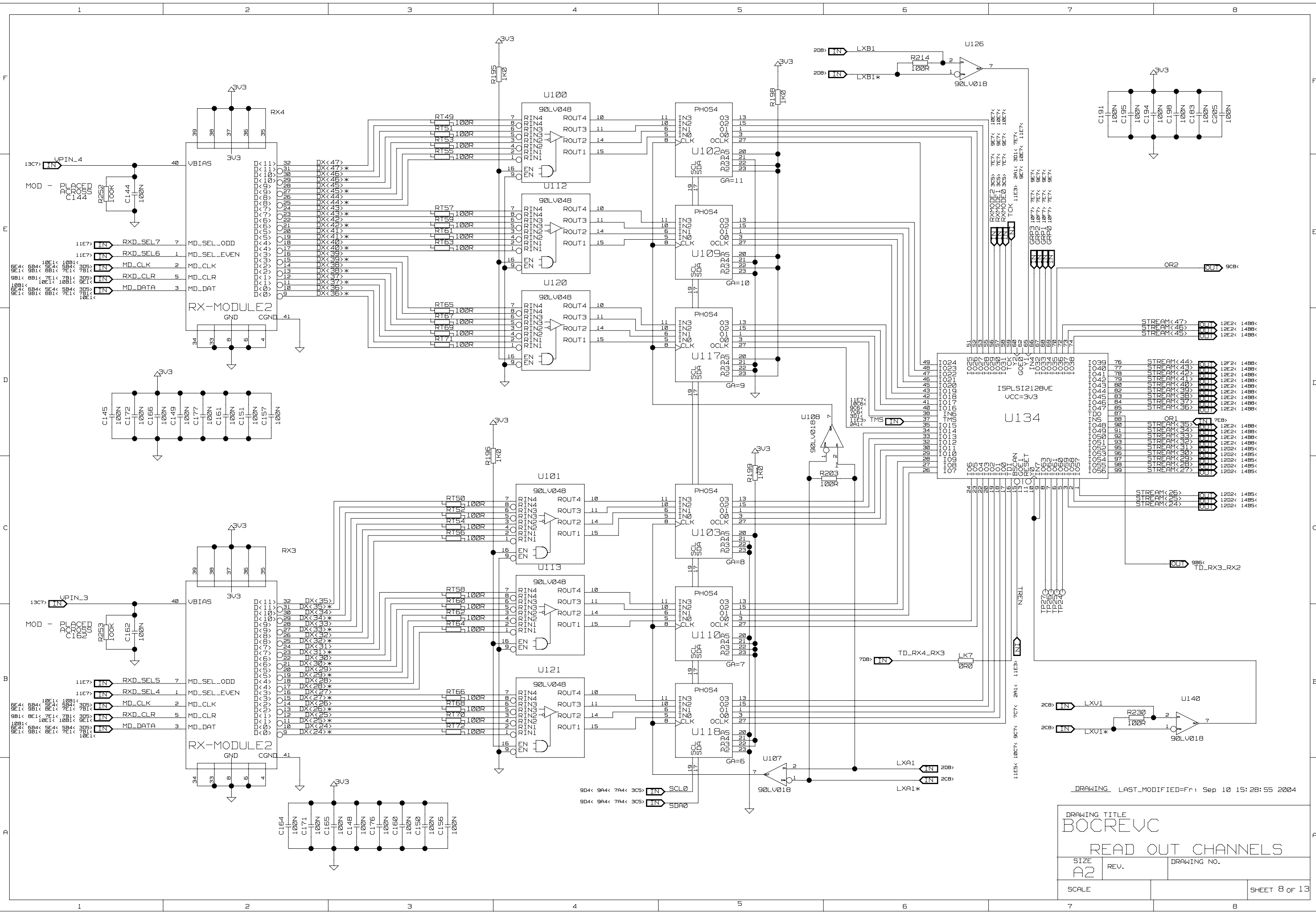
DRAWING LAST\_MODIFIED=Fri Sep 10 15:27:47 2004

DRAWING TITLE		
BOCREVC		
SIZE	REV.	DRAWING NO.
A2		
SCALE		
	SHEET 6 OF 13	



DRAWING LAST\_MODIFIED=Fri Sep 10 15:27:55 2004

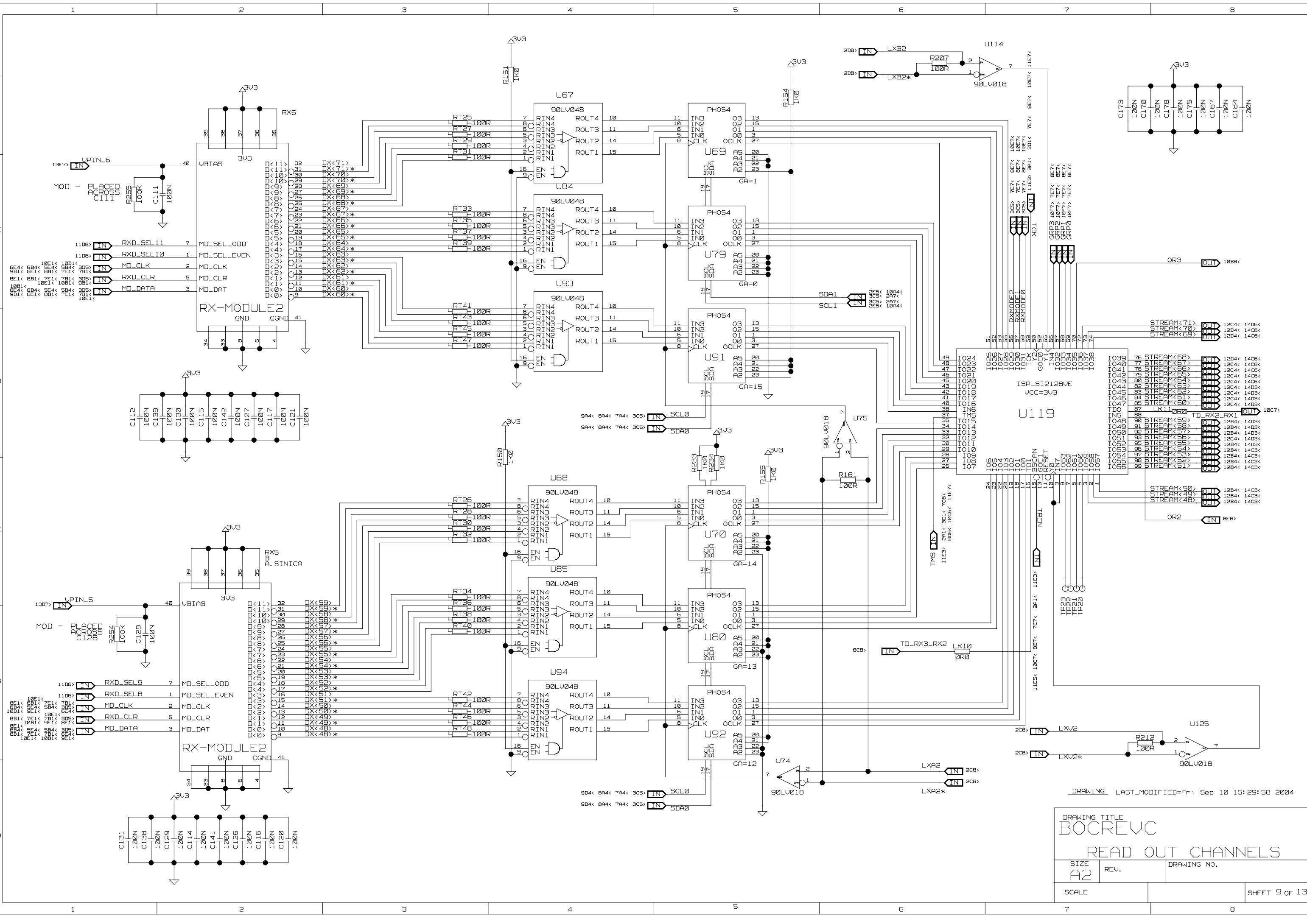
DRAWING TITLE BOCREVC		
READ OUT CHANNELS		
SIZE A2	REV.	DRAWING NO.
SCALE	SHEET 7 OF 13	



DRAWING LAST\_MODIFIED=Fri Sep 10 15:28:55 2004

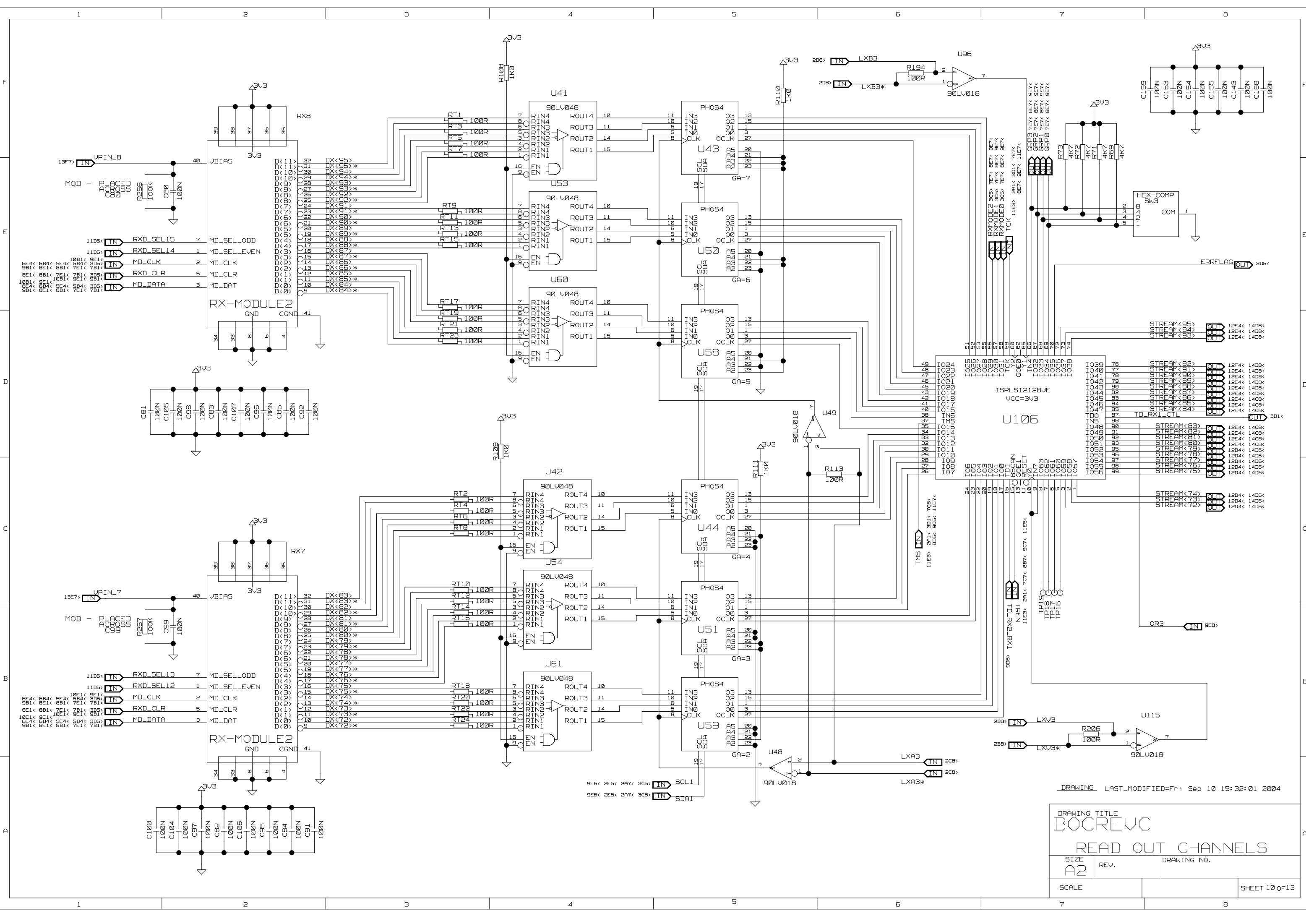
DRAWING TITLE		
BOCREVC		
READ OUT CHANNELS		
SIZE	REV.	DRAWING NO.
A2		
SCALE	SHEET 8 OF 13	





DRAWING LAST\_MODIFIED=Fri Sep 10 15:29:58 2004

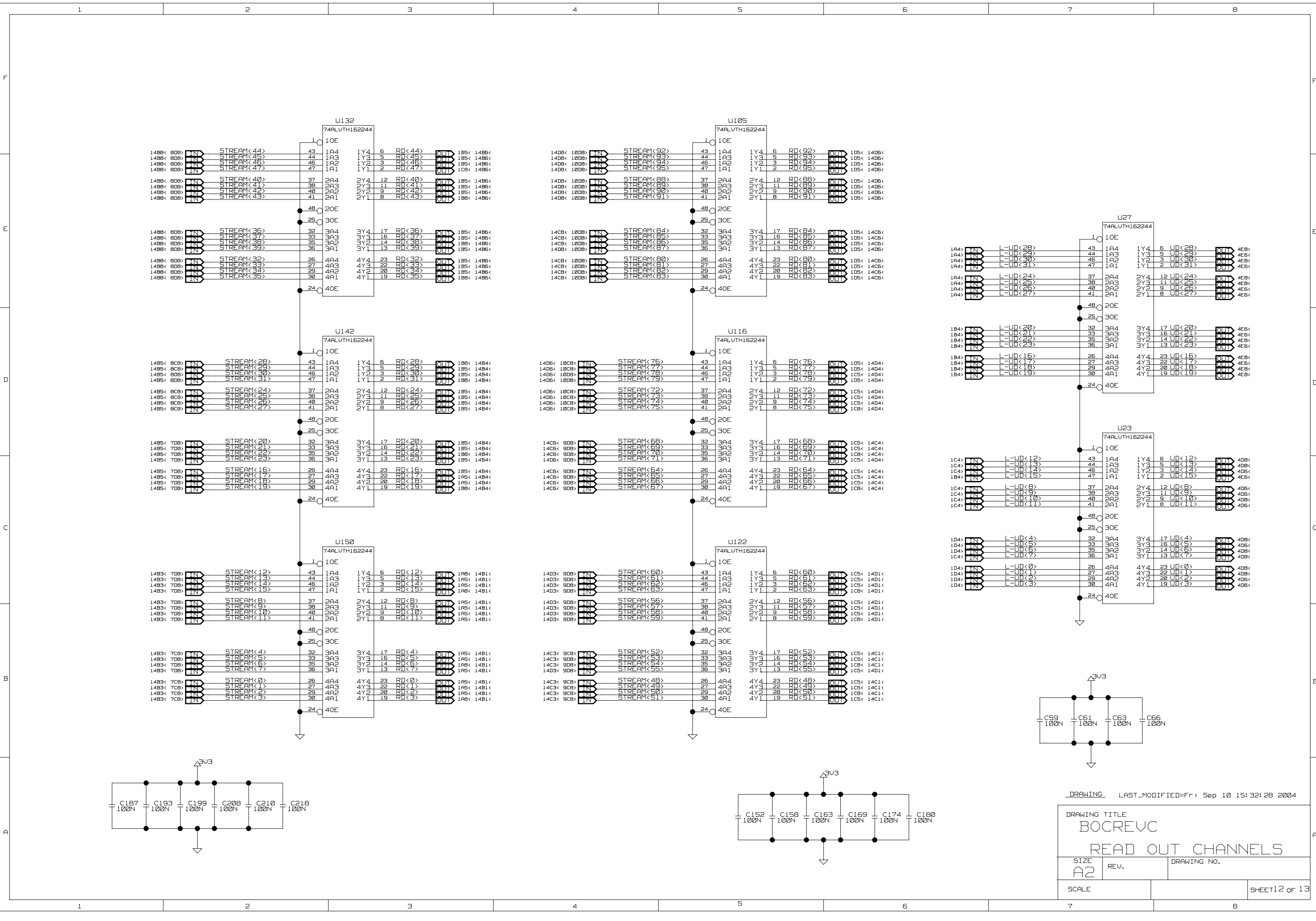
DRAWING TITLE		
BOCREVC		
READ OUT CHANNELS		
SIZE	REV.	DRAWING NO.
A2		
SCALE	SHEET 9 of 13	



DRAWING LAST\_MODIFIED=Fri Sep 10 15:32:01 2004

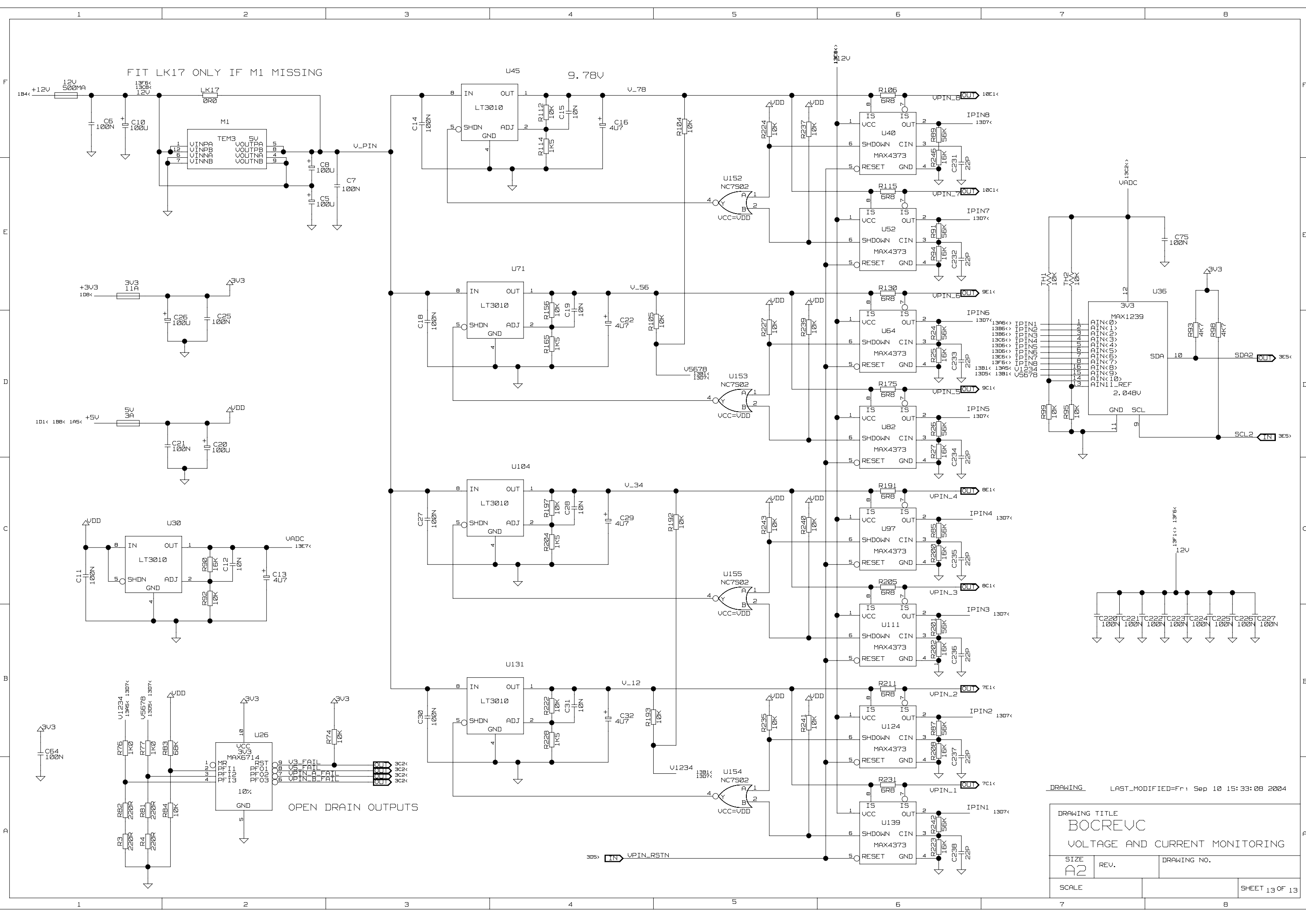
DRAWING TITLE BOCREVC		
READ OUT CHANNELS		
SIZE A2	REV.	DRAWING NO.
SCALE	SHEET 10 OF 13	





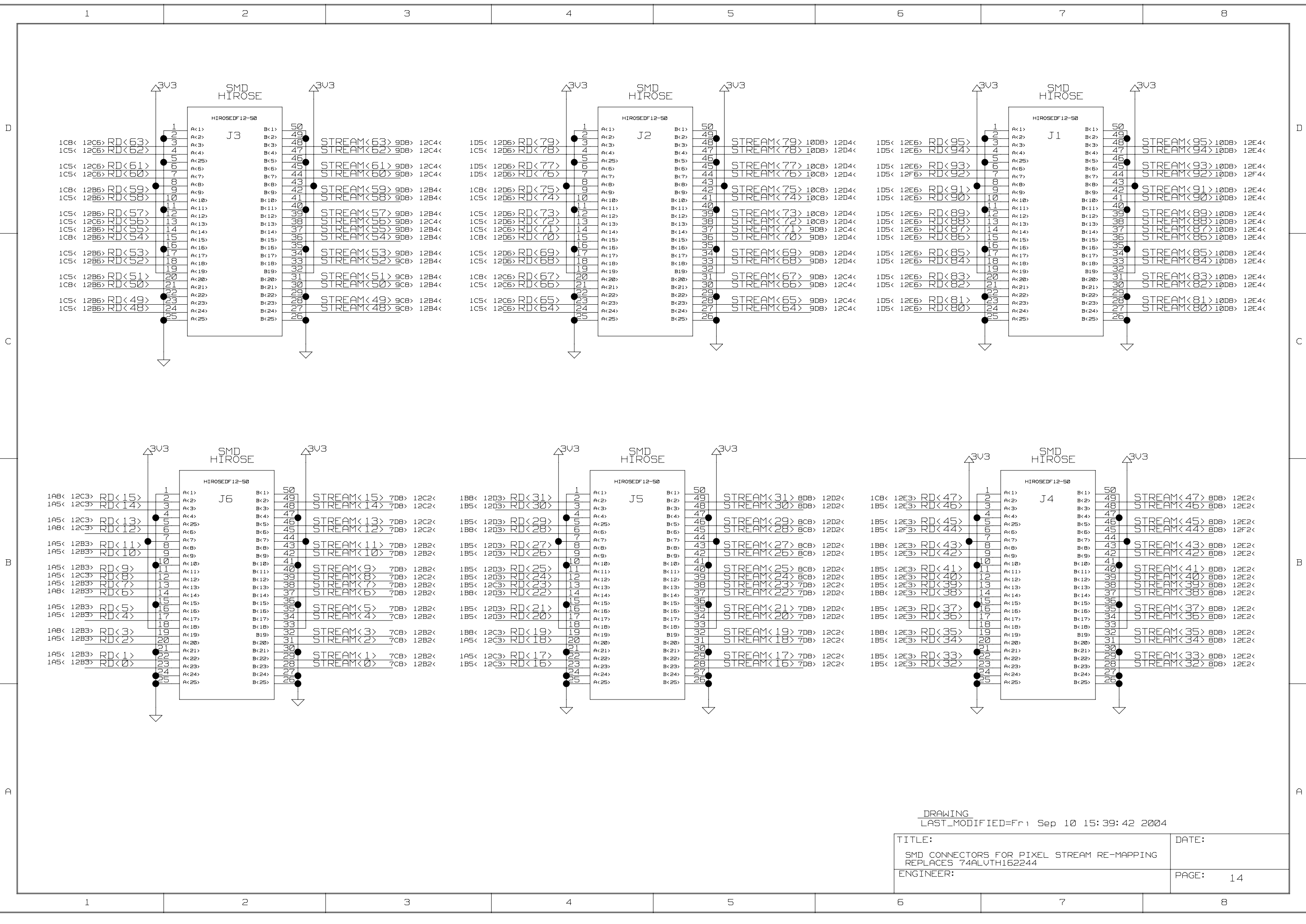
\_DRAWING\_ LAST\_MODIFIED=Fri Sep 10 15:32:28 2004

DRAWING TITLE		
BOCREVC		
READ OUT CHANNELS		
SIZE	REV.	DRAWING NO.
A2		
SCALE	SHEET 12 OF 13	



DRAWING LAST\_MODIFIED=Fri Sep 10 15:33:08 2004

DRAWING TITLE		
BOCREVC		
VOLTAGE AND CURRENT MONITORING		
SIZE	REV.	DRAWING NO.
A2		
SCALE	SHEET 13 OF 13	



DRAWING  
 LAST\_MODIFIED=Fri Sep 10 15:39:42 2004

TITLE: SMD CONNECTORS FOR PIXEL STREAM RE-MAPPING REPLACES 74ALVTH162244	DATE:
ENGINEER:	PAGE: 14



\*\*\* Part Cross-Reference for the entire design \*\*\*

3U-OK BOC-LED 3C6	C121 CAPACITOR 9D2	J3 HIROSEDF12-50 14D2	R104 RESISTOR 13F5	R227 RESISTOR 13D5	RT90 LUTERM 7B3	U63 NC75208 3B2
3U3 POLYFUSE 13E1	C122 CAPACITOR 2B3	J4 HIROSEDF12-50 14B7	R105 RESISTOR 13D4	R228 RESISTOR 13B4	RT91 LUTERM 7D3	U64 MAX4373 13D6
5U POLYFUSE 13D1	C123 CAPACITOR 2D5	J5 HIROSEDF12-50 14B4	R106 RESISTOR 13F6	R229 RESISTOR 7C6	RT92 LUTERM 7B3	U65 SY89421 2D3
5U-OK BOC-LED 3B6	C124 CAPACITOR 2D6	J6 HIROSEDF12-50 14B2	R107 RESISTOR 3B3	R230 RESISTOR 8B7	RT93 LUTERM 7D3	U66 100EL34 2D4
12V SMD-FUSE 13F1	C125 CAPACITOR 2B4	LAS-EN BOC-LED 3D7	R108 RESISTOR 10F4	R231 RESISTOR 13A6	RT94 LUTERM 7B3	U67 90LV048 9F4
C1 CAPACITOR 6E7	C126 CAPACITOR 9A2	LK1 RESISTOR 3D5	R109 RESISTOR 10D4	R232 RESISTOR 7F6	RT95 LUTERM 7D3	U68 90LV048 9C4
C2 CAPACITOR 6B7	C127 CAPACITOR 9D2	LK2 RESISTOR 3D2	R110 RESISTOR 10F5	R233 RESISTOR 9C5	RT96 LUTERM 7B3	U69 PH054 9F5
C3 CAPACITOR 4B7	C128 CAPACITOR 9B1	LK7 RESISTOR 8B6	R111 RESISTOR 10C5	R234 RESISTOR 9C5	RX1 RX-MODULE2 7C2	U70 PH054 9C5
C4 CAPACITOR 5E7	C129 CAPACITOR 9E2	LK10 RESISTOR 9B6	R112 RESISTOR 13F4	R235 RESISTOR 13B5	RX2 RX-MODULE2 8C2	U71 LT3010 13E4
C5 CAPACITOR 13E2	C130 CAPACITOR 9D2	LK11 RESISTOR 9D8	R113 RESISTOR 10C6	R236 RESISTOR 7B8	RX3 RX-MODULE2 8F2	U72 100EP195 2B5
C6 CAPACITOR 13F1	C131 CAPACITOR 9A1	LK14 RESISTOR 11E5	R114 RESISTOR 13F4	R237 RESISTOR 13F5	RX4 RX-MODULE2 8F2	U73 100EP14 2D4
C7 CAPACITOR 13E3	C132 CAPACITOR 2C6	LK15 RESISTOR 11E3	R115 RESISTOR 13E5	R238 RESISTOR 3D8	RX5 RX-MODULE2 9C2	U74 90LV018 9A5
C8 CAPACITOR 13E2	C133 CAPACITOR 2A6	LK16 RESISTOR 11E3	R116 RESISTOR 1B4	R239 RESISTOR 13D5	RX6 RX-MODULE2 9F2	U75 90LV018 9D6
C9 CAPACITOR 5B7	C134 CAPACITOR 2E3	LK17 RESISTOR 13F2	R117 RESISTOR 3C2	R240 RESISTOR 13C5	RX7 RX-MODULE2 10C2	U76 100EL34 2D5
C10 CAPACITOR 13F1	C135 CAPACITOR 2A7	LK22 RESISTOR 1A4	R118 RESISTOR 3B2	R241 RESISTOR 13B5	RX8 RX-MODULE2 10F2	U77 100EP32 2C3
C11 CAPACITOR 13C1	C136 CAPACITOR 2B5	LK23 RESISTOR 1A4	R119 RESISTOR 4C7	R242 RESISTOR 13A6	S-LINK S-LINK-LSC 4E7	U78 100EP57 2D6
C12 CAPACITOR 13C2	C137 CAPACITOR 2B6	M1 TEM3 13F2	R120 RESISTOR 2C2	R243 RESISTOR 13C5	SK1 2MM-CONN-B 11E2	U79 PH054 9E5
C13 CAPACITOR 13C2	C138 CAPACITOR 9A1	R1 RESISTOR 6F2	R121 RESISTOR 4C7	R244 RESISTOR 4E5	SK2 2MM-CONN-B 11B5	U80 PH054 9B5
C14 CAPACITOR 13F3	C139 CAPACITOR 9D2	R2 RESISTOR 3C7	R122 RESISTOR 2D2	R245 RESISTOR 4D6	SK3 MICROMATCH-B 11D2	U81 100EP57 2C4
C15 CAPACITOR 13F4	C140 CAPACITOR 2C8	R3 RESISTOR 13A1	R123 RESISTOR 2D2	R246 RESISTOR 13F6	SW1 HEX-COMP 4F1	U82 MAX4373 13D6
C16 CAPACITOR 13F4	C141 CAPACITOR 9A2	R4 RESISTOR 13A1	R124 RESISTOR 2D2	R247 RESISTOR 11B4	SW2 HEX-COMP 4F1	U83 SY55855 2D7
C17 CAPACITOR 2D3	C142 CAPACITOR 9D2	R5 RESISTOR 3C6	R125 RESISTOR 2D2	R248 RESISTOR 2B7	SW3 HEX-COMP 10E8	U84 90LV048 9E4
C18 CAPACITOR 13D3	C143 CAPACITOR 10F8	R6 RESISTOR 3A2	R126 RESISTOR 4C7	R249 RESISTOR 2B7	TH1 THERMISTOR 13E7	U85 90LV048 9C4
C19 CAPACITOR 13D4	C144 CAPACITOR 8E1	R7 RESISTOR 4F4	R127 RESISTOR 4F4	R250 RESISTOR 2D2	TH2 THERMISTOR 13E7	U86 90LV018 2A6
C20 CAPACITOR 13D2	C145 CAPACITOR 8D1	R8 RESISTOR 3C6	R8 RESISTOR 3C6	R128 RESISTOR 2D3	TH3 THERMISTOR 11D2	U87 100EPT22 2C6 2F3
C21 CAPACITOR 13D2	C146 CAPACITOR 2D8	R9 RESISTOR 4D5	R9 RESISTOR 4D5	R129 RESISTOR 2C3	TH4 THERMISTOR 11D2	U88 PH054 2B7
C22 CAPACITOR 13D4	C147 CAPACITOR 2B8	R10 RESISTOR 3A2	R10 RESISTOR 3A2	R130 RESISTOR 13C6	TH5 THERMISTOR 11C2	U89 SY55855 2B6
C23 CAPACITOR 2D7	C148 CAPACITOR 9A3	R11 RESISTOR 4D4	R11 RESISTOR 4D4	R131 RESISTOR 2C2	TH6 THERMISTOR 11C2	U90 90LV018 2B6
C24 CAPACITOR 2D7	C149 CAPACITOR 8D2	R12 RESISTOR 4D4	R12 RESISTOR 4D4	R132 RESISTOR 2D3	TP1 VEROTP 6E3	U91 PH054 9D5
C25 CAPACITOR 13D2	C150 CAPACITOR 8A3	R13 RESISTOR 4D4	R13 RESISTOR 4D4	R133 RESISTOR 2D3	TP2 VEROTP 6E3	U92 PH054 9B5
C26 CAPACITOR 13D2	C151 CAPACITOR 8D2	R14 RESISTOR 2E6	R14 RESISTOR 2E6	R134 RESISTOR 2D3	TP3 VEROTP 6C3	U93 90LV048 9E4
C27 CAPACITOR 13C3	C152 CAPACITOR 12A5	R15 RESISTOR 2E8	R15 RESISTOR 2E8	R135 RESISTOR 2D3	TP4 VEROTP 6C3	U94 90LV048 9B4
C28 CAPACITOR 13C4	C153 CAPACITOR 10F8	R16 RESISTOR 2E7	R16 RESISTOR 2E7	R136 RESISTOR 2B3	TP5 VEROTP 5D3	U95 90LV14 2D7
C29 CAPACITOR 13C4	C154 CAPACITOR 10F8	R17 RESISTOR 4D4	R17 RESISTOR 4D4	R137 RESISTOR 2D4	TP6 VEROTP 5D3	U96 90LV018 10F6
C30 CAPACITOR 13B3	C155 CAPACITOR 10F8	R18 RESISTOR 4C4	R18 RESISTOR 4C4	R138 RESISTOR 3B1	TP7 VEROTP 5C3	U97 MAX4373 13C6
C31 CAPACITOR 13B4	C156 CAPACITOR 8A3	R19 RESISTOR 4C4	R19 RESISTOR 4C4	R139 RESISTOR 3B2	TP8 VEROTP 5C3	U98 90LV14 2C7
C32 CAPACITOR 13B4	C157 CAPACITOR 8D2	R20 RESISTOR 4C4	R20 RESISTOR 4C4	R140 RESISTOR 2B3	TP9 VEROTP 2B1	U99 90LV14 2D7
C33 CAPACITOR 6B1	C158 CAPACITOR 12A5	R21 RESISTOR 2E4	R21 RESISTOR 2E4	R141 RESISTOR 2B5	TP10 VEROTP 11D6	U100 90LV048 8F4
C34 CAPACITOR 6E7	C159 CAPACITOR 10F8	R22 RESISTOR 4C4	R22 RESISTOR 4C4	R142 RESISTOR 2D4	TP11 VEROTP 10C3	U101 90LV048 8C4
C35 CAPACITOR 3D6	C160 CAPACITOR 8A3	R23 RESISTOR 2E8	R23 RESISTOR 2E8	R143 RESISTOR 2E4	TP12 VEROTP 3D5	U102 PH054 8F5
C36 CAPACITOR 4A4	C161 CAPACITOR 8D2	R24 RESISTOR 13D6	R24 RESISTOR 13D6	R144 RESISTOR 2B4	TP13 VEROTP 3D5	U103 PH054 8C5
C37 CAPACITOR 6B1	C162 CAPACITOR 8B1	R25 RESISTOR 13D6	R25 RESISTOR 13D6	R145 RESISTOR 2E4	TP14 VEROTP 3B3	U104 LT3010 13C4
C38 CAPACITOR 4C5	C163 CAPACITOR 12A6	R26 RESISTOR 13D6	R26 RESISTOR 13D6	R146 RESISTOR 2D4	TP15 VEROTP 3D2	U105 74ALVTH162244 12F5
C39 CAPACITOR 3A5	C164 CAPACITOR 8A2	R27 RESISTOR 13D6	R27 RESISTOR 13D6	R147 RESISTOR 2C4	TP16 VEROTP 10B7	U106 ISPLS12128V 10D7
C40 CAPACITOR 2F6	C165 CAPACITOR 8A3	R28 RESISTOR 11B2	R28 RESISTOR 11B2	R148 RESISTOR 2E6	TP17 VEROTP 10B7	U107 90LV018 8A5
C41 CAPACITOR 6B7	C166 CAPACITOR 8D1	R29 RESISTOR 11B2	R29 RESISTOR 11B2	R149 RESISTOR 2B4	TP18 VEROTP 10B7	U108 90LV018 8D5
C42 CAPACITOR 2F4	C167 CAPACITOR 9F8	R30 RESISTOR 4F4	R30 RESISTOR 4F4	R150 RESISTOR 9D4	TP19 VEROTP 10C7	U109 PH054 8E5
C43 CAPACITOR 6B2	C168 CAPACITOR 10F8	R31 RESISTOR 2E7	R31 RESISTOR 2E7	R151 RESISTOR 9F4	TP20 VEROTP 9C7	U110 PH054 8B5
C44 CAPACITOR 2F5	C169 CAPACITOR 12A6	R32 RESISTOR 2E4	R32 RESISTOR 2E4	R152 RESISTOR 2E6	TP21 VEROTP 9C7	U111 MAX4373 13B6
C45 CAPACITOR 2E4	C170 CAPACITOR 9F7	R33 RESISTOR 2E8	R33 RESISTOR 2E8	R153 RESISTOR 2D5	TP22 VEROTP 9C7	U112 90LV048 8E4
C46 CAPACITOR 2F7	C171 CAPACITOR 8A2	R34 RESISTOR 2E5	R34 RESISTOR 2E5	R154 RESISTOR 9F5	TP23 VEROTP 9C7	U113 90LV048 8C4
C47 CAPACITOR 5B1	C172 CAPACITOR 8D1	R35 RESISTOR 2E8	R35 RESISTOR 2E8	R155 RESISTOR 9C5	TP24 VEROTP 8C7	U114 90LV018 9F7
C48 CAPACITOR 2D6	C173 CAPACITOR 9F7	R36 RESISTOR 2E6	R36 RESISTOR 2E6	R156 RESISTOR 13D4	TP25 VEROTP 8C7	U115 90LV018 10B7
C49 CAPACITOR 5E7	C174 CAPACITOR 12A6	R37 RESISTOR 2E5	R37 RESISTOR 2E5	R157 RESISTOR 2D5	TP26 VEROTP 8C7	U116 74ALVTH162244 12D5
C50 CAPACITOR 4E2	C175 CAPACITOR 9F8	R38 RESISTOR 2E8	R38 RESISTOR 2E8	R158 RESISTOR 2E2	TP27 VEROTP 8C7	U117 PH054 8D5
C51 CAPACITOR 4E2	C176 CAPACITOR 8A3	R39 RESISTOR 4B7	R39 RESISTOR 4B7	R159 RESISTOR 2A3	TP28 VEROTP 7C7	U118 PH054 8B5
C52 CAPACITOR 5B1	C177 CAPACITOR 8D2	R40 RESISTOR 2E6	R40 RESISTOR 2E6	R160 RESISTOR 2E2	TP29 VEROTP 7C7	U119 ISPLS12128V 9D7
C53 CAPACITOR 5B7	C178 CAPACITOR 9F8	R41 RESISTOR 2E8	R41 RESISTOR 2E8	R161 RESISTOR 9C6	TP30 VEROTP 7C7	U120 90LV048 8E4
C54 CAPACITOR 5B2	C179 CAPACITOR 2E2	R42 RESISTOR 5F2	R42 RESISTOR 5F2	R162 RESISTOR 2C6	TP31 VEROTP 7C7	U121 90LV048 8B4
C55 CAPACITOR 4F3	C180 CAPACITOR 12A6	R43 RESISTOR 2E5	R43 RESISTOR 2E5	R163 RESISTOR 2B3	TX1 TX-MODULE2 5C6	U122 74ALVTH162244 12C5
C56 CAPACITOR 3A5	C181 CAPACITOR 7E1	R44 RESISTOR 2E8	R44 RESISTOR 2E8	R164 RESISTOR 2C3	TX2 TX-MODULE2 5F6	U123 100EP16 2E2
C57 CAPACITOR 3A5	C182 CAPACITOR 7D1	R45 RESISTOR 2E7	R45 RESISTOR 2E7	R165 RESISTOR 13D4	TX3 TX-MODULE2 6C6	U124 MAX4373 13B6
C58 CAPACITOR 11C4	C183 CAPACITOR 8F8	R46 RESISTOR 2E7	R46 RESISTOR 2E7	R166 RESISTOR 2A3	TX4 TX-MODULE2 6F6	U125 90LV018 9B8
C59 CAPACITOR 12B7	C184 CAPACITOR 9F8	R47 RESISTOR 4F2	R47 RESISTOR 4F2	R167 RESISTOR 2D5	U1 HCT245 4B4	U126 90LV018 8F6
C60 CAPACITOR 11C7	C185 CAPACITOR 7A2	R48 RESISTOR 4F2	R48 RESISTOR 4F2	R168 RESISTOR 2C6	U2 HCT245 6F2	U127 90LV048 7C4
C61 CAPACITOR 12B7	C186 CAPACITOR 7D2	R49 RESISTOR 4F2	R49 RESISTOR 4F2	R169 RESISTOR 2D6	U3 HCT245 3A4 3A4 3A4 3C6 3C6 3D7	U128 90LV048 7F4
C62 CAPACITOR 11B7	C187 CAPACITOR 12A1	R50 RESISTOR 4F2	R50 RESISTOR 4F2	R170 RESISTOR 2C6	U4 NC75208 3A3	U129 PH054 7F5
C63 CAPACITOR 12B7	C188 CAPACITOR 2C1	R51 RESISTOR 4D2	R51 RESISTOR 4D2	R171 RESISTOR 2B3	U5 HCT245 6D2	U130 PH054 8E5
C64 CAPACITOR 13B1	C189 CAPACITOR 7A2	R52 RESISTOR 4D2	R52 RESISTOR 4D2	R172 RESISTOR 2B5	U6 HCT245 4D5	U131 LT3010 13B4
C65 CAPACITOR 12B8	C190 CAPACITOR 7B2	R53 RESISTOR 4F2	R53 RESISTOR 4F2	R173 RESISTOR 2C6	U7 100EPT22 2E5 2E7	U132 74ALVTH162244 12F3
C66 CAPACITOR 11A4	C191 CAPACITOR 8F7	R54 RESISTOR 4F4	R54 RESISTOR 4F4	R174 RESISTOR 2C3	U8 90LV018 2E4	U133 100EL92 2D1
C67 CAPACITOR 11A4	C192 CAPACITOR 2C1	R55 RESISTOR 4F4	R55 RESISTOR 4F4	R175 RESISTOR 13D6	U9 HCT245 6C2	U134 ISPLS12128V 8D7
C68 CAPACITOR 4A3	C193 CAPACITOR 12A2	R56 RESISTOR 4F4	R56 RESISTOR 4F4	R176 RESISTOR 2B5	U10 PH054 2E5	U135 90LV018 7B5
C69 CAPACITOR 11F5	C194 CAPACITOR 8F7	R57 RESISTOR 4F4	R57 RESISTOR 4F4	R177 RESISTOR 2D6	U11 100EPT21 2E4	U136 90LV018 7D6
C70 CAPACITOR 11F6	C195 CAPACITOR 8F7	R58 RESISTOR 4F2	R58 RESISTOR 4F2	R178 RESISTOR 2C6	U12 100EP14 2E7	U137 PH054 7E5
C71 CAPACITOR 11E1	C196 CAPACITOR 7A2	R59 RESISTOR 4F2	R59 RESISTOR 4F2	R179 RESISTOR 2C6	U13 90LV017 2D6	U138 PH054 7B5
C72 CAPACITOR 2C2	C197 CAPACITOR 7D2	R60 RESISTOR 4F2	R60 RESISTOR 4F2	R180 RESISTOR 2D7	U14 HCT245 5F2	U139 MAX4373 13A6
C73 CAPACITOR 2C2	C198 CAPACITOR 8F8	R61 RESISTOR 4F2	R61 RESISTOR 4F2	R181 RESISTOR 2B7	U15 LVT245 4F2	U140 90LV018 8B8
C74 CAPACITOR 2A2	C199 CAPACITOR 4A6	R62 LUTERM 11B3	R62 LUTERM 11B3	R182 RESISTOR 2B5	U16 LVT245 4E2	U141 90LV018 7F7
C75 CAPACITOR 13E8	C200 CAPACITOR 7B1	R63 RESISTOR 4F4	R63 RESISTOR 4F4	R183 RESISTOR 2E3	U17 HCT245 5D2	U142 74ALVTH162244 12D3
C76 CAPACITOR 4A6	C201 CAPACITOR 7A2	R64 RESISTOR 4F4	R64 RESISTOR 4F4	R184 RESISTOR 2C7	U18 LVT245 4F4	U143 90LV048 7E4
C77 CAPACITOR 2C7	C202 CAPACITOR 7D2	R65 RESISTOR 4F4	R65 RESISTOR 4F4	R185 RESISTOR 2E3	U19 HCT245 5C2	U144 90LV048 7C4
C78 CAPACITOR 3F1	C203 CAPACITOR 7A1	R66 RESISTOR 3C6	R66 RESISTOR 3C6	R186 RESISTOR 2D7	U20 NC75208 3B5	U145 ISPLS12128V 7D7
C79 CAPACITOR 4A2	C204 CAPACITOR 7F8	R67 RESISTOR 3B6	R67 RESISTOR 3B6	R187 RESISTOR 2B6	U21 NC75208 3C5	U146 PH054 7D5
C80 CAPACITOR 10E2	C205 CAPACITOR 8F8	R68 RESISTOR 4F7	R68 RESISTOR 4F7	R188 RESISTOR 2D7	U22 100EPT21 11C4	U147 PH054 7B5
C81 CAPACITOR 10D1	C206 CAPACITOR 7A1	R69 RESISTOR 4F6	R69 RESISTOR 4F6	R189 RESISTOR 2C7	U23 74ALVTH162244 12D7	U148 90LV048 7E4
C82 CAPACITOR 10A2	C207 CAPACITOR 7D1	R70 RESISTOR 10F7	R70 RESISTOR 10F7	R190 RESISTOR 2D7	U24 100EPT21 11C4	U149 90LV048 7B4
C83 CAPACITOR 10A2	C208 CAPACITOR 12A2	R71 RESISTOR 11C2	R71 RESISTOR 11C2	R191 RESISTOR 13C5	U25 MAX4373 13B2	U150 74ALVTH162244 12C3
C84 CAPACITOR 10A2	C209 CAPACITOR 7F7	R72 RESISTOR 10F7	R72 RESISTOR 10F7	R192 RESISTOR 13C5	U26 74ALVTH162244 12E7	U151 90LV018 7B8
C85 CAPACITOR 10D2	C210 CAPACITOR 12A2	R73 RESISTOR 10F7	R73 RESISTOR 10F7	R193 RESISTOR 13B4	U27 LT3010 13C2	U152 NC7582 13E5
C86 CAPACITOR 3F5	C211 CAPACITOR 7F8	R74 RESISTOR 13B3	R74 RESISTOR 13B3	R194 RESISTOR 10F6	U28 LVT245 4D2	U153 NC7582 13D5
C87 CAPACITOR 4A2	C212 CAPACITOR 7F7	R75 RESISTOR 11C2	R75 RESISTOR 11C2	R195 RESISTOR 8F4	U29 ISPLS12032V 11E5	U154 NC7582 13A5
C88 CAPACITOR 3F5	C213 CAPACITOR 7A1	R76 RESISTOR 13B1	R76 RESISTOR 13B1	R196 RESISTOR 8D3	U30 NC75208 11E3	U155 NC7582 13C5
C89 CAPACITOR 3F5	C214 CAPACITOR 7D1	R77 RESISTOR 13B1	R77 RESISTOR 13B1	R197 RESISTOR 13C4	U31 ISPLS12032V 2B2	U156 90LV048 11B4
C90 CAPACITOR 3F6	C215 CAPACITOR 7A2	R78 RESISTOR 4E5	R78 RESISTOR 4E5	R198 RESISTOR 8C5	U32 100EPT22 2A2 2B2	U157 SMD-05C 3F2
C91 CAPACITOR 10A2	C216 CAPACITOR 7D2	R79 RESISTOR 7E1	R79 RESISTOR 7E1	R199 RESISTOR 8C5	U33 NC75208 4B6	
C92 CAPACITOR 10D2	C217 CAPACITOR 7F8	R80 LUTERM 11B3	R80 LUTERM 11B3	R200 RESISTOR 13C6	U34 90LV018 2C7	
C93 CAPACITOR 3F6	C218 CAPACITOR 12A2	R81 RESISTOR 13A1	R81 RESISTOR 13A1	R201 RESISTOR 13B5	U35 LVT245 4B2	
C94 CAPACITOR 3F5	C219 CAPACITOR 7F8	R82 RESISTOR 13A1	R82 RESISTOR 13A1	R202 RESISTOR 13B5	U40 MAX4373 13F6	
C95 CAPACITOR 10A2	C220 CAPACITOR 13B7	R83 RESISTOR 13B2	R83 RESISTOR 13B2	R203 RESISTOR 8C5	U41 90LV048 10F4	
C96 CAPACITOR 10D						