

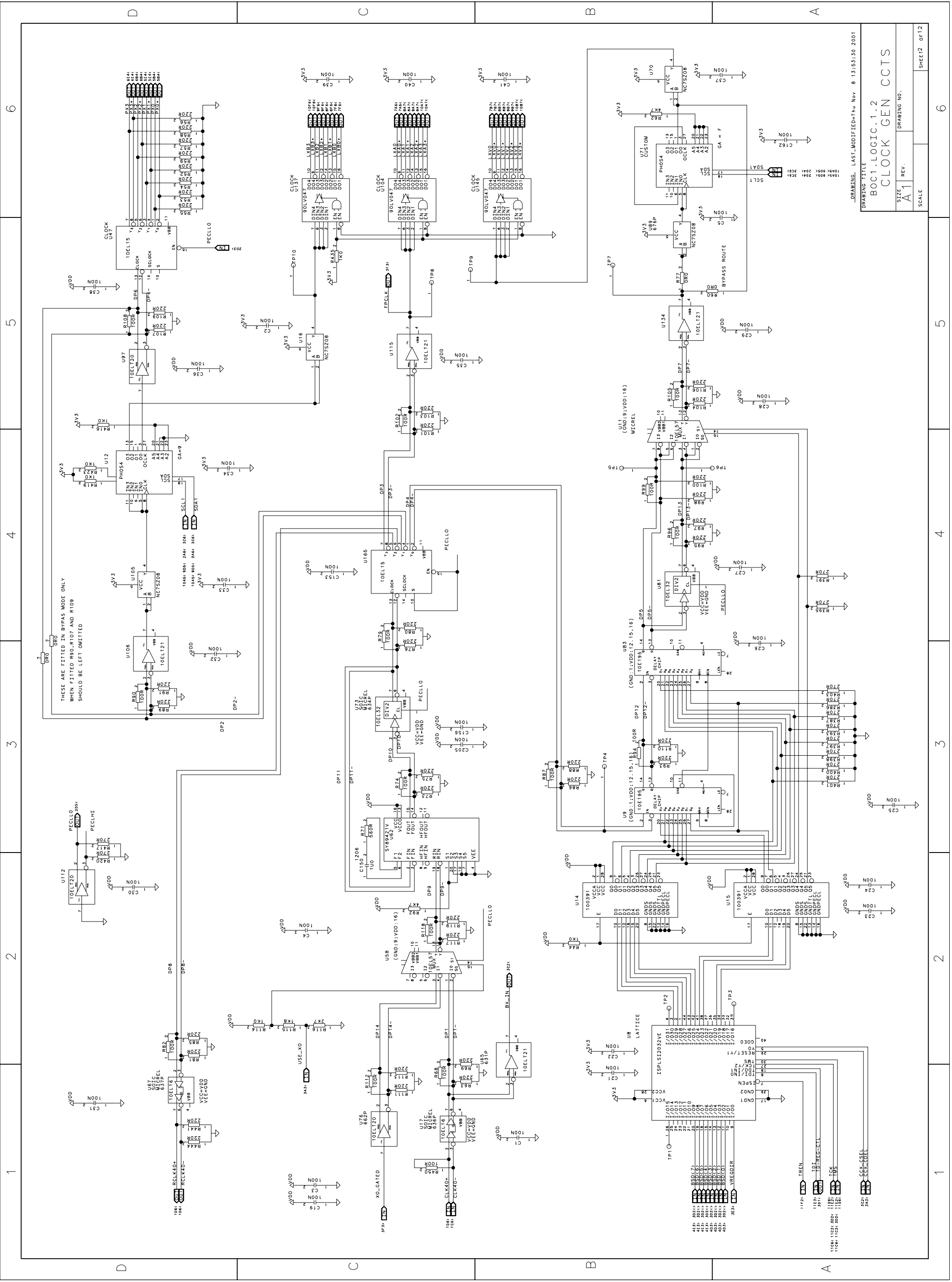
DRAWING LAST_MODIFIED=Thu Nov 1 15:18:33 2001

DRAWING TITLE
 BOC1-0.LOGIC.1.1
 I/O CONNECTIONS

SIZE
 A2

REV.
 DRAWING NO.

SCALE



DRAWING TITLE
BOC1 - LOGIC.1 - 2
CLOCK GEN CCTS

REV.
A1

DRAWING NO.
SCALE

DRAWING LAST_MODIFIED=Thu Nov 8 13:53:30 2001

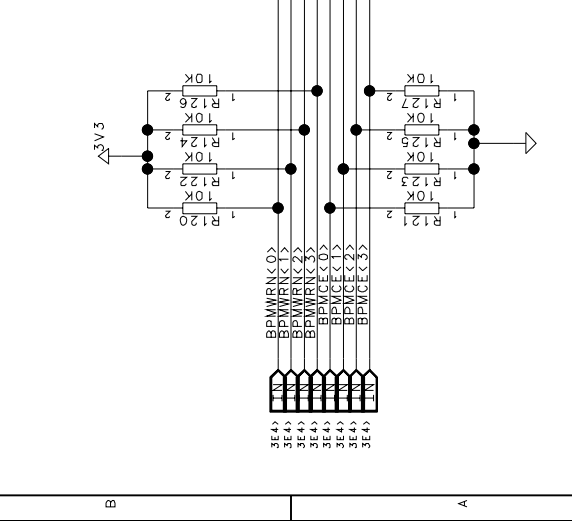
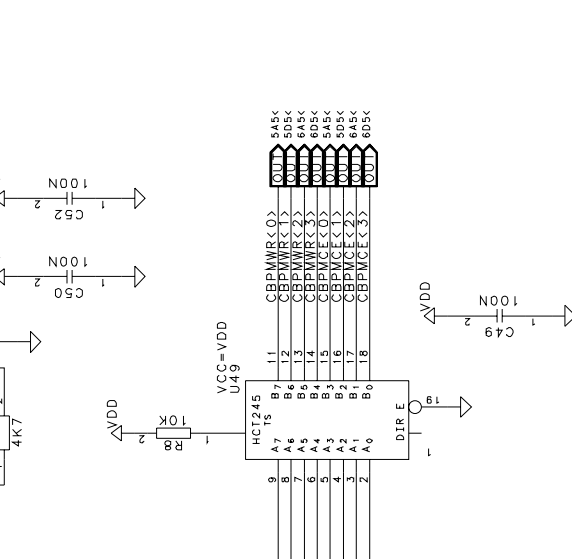
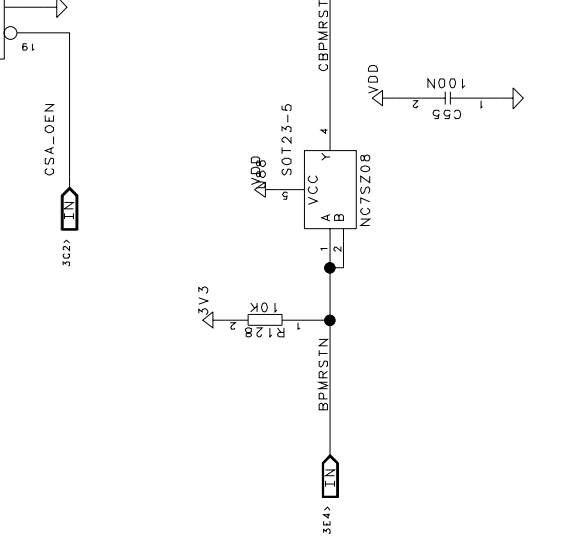
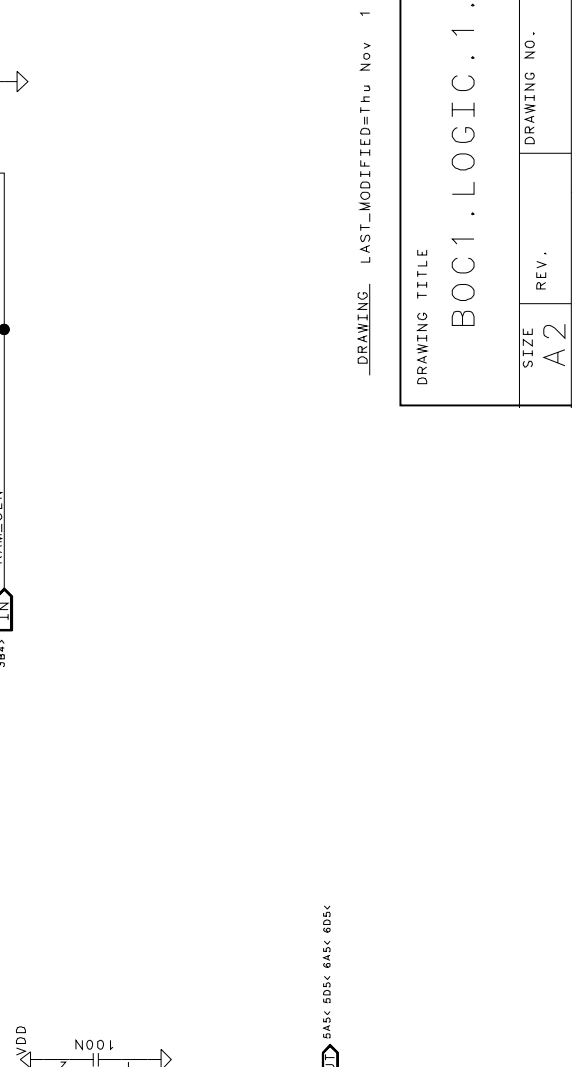
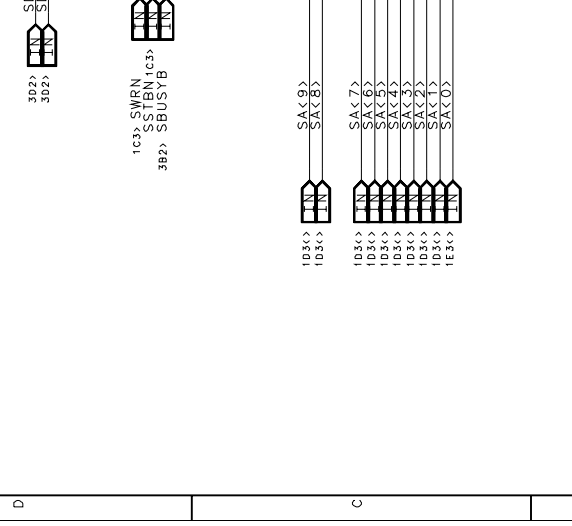
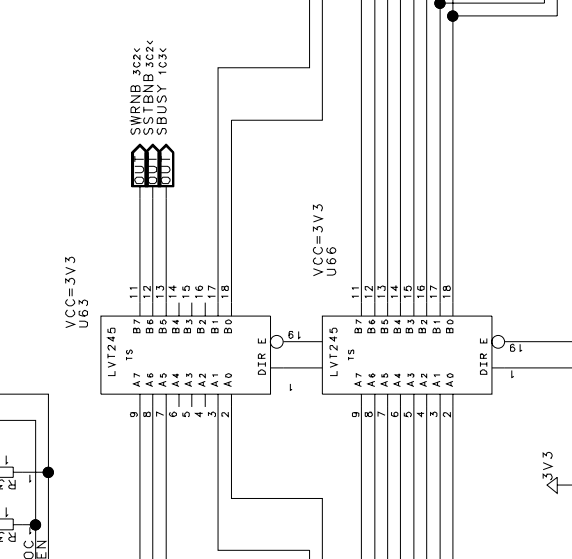
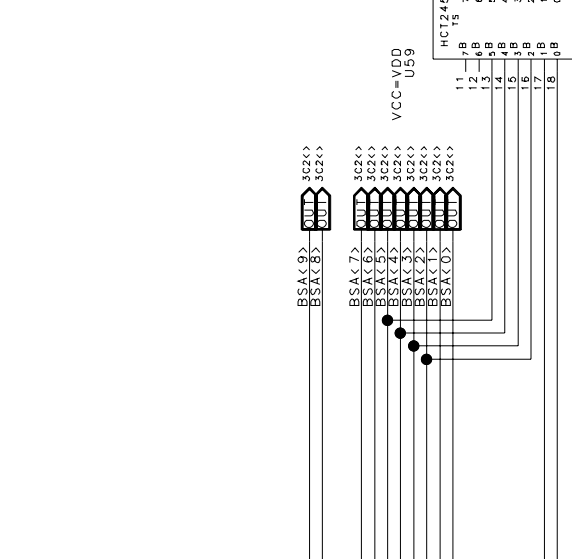
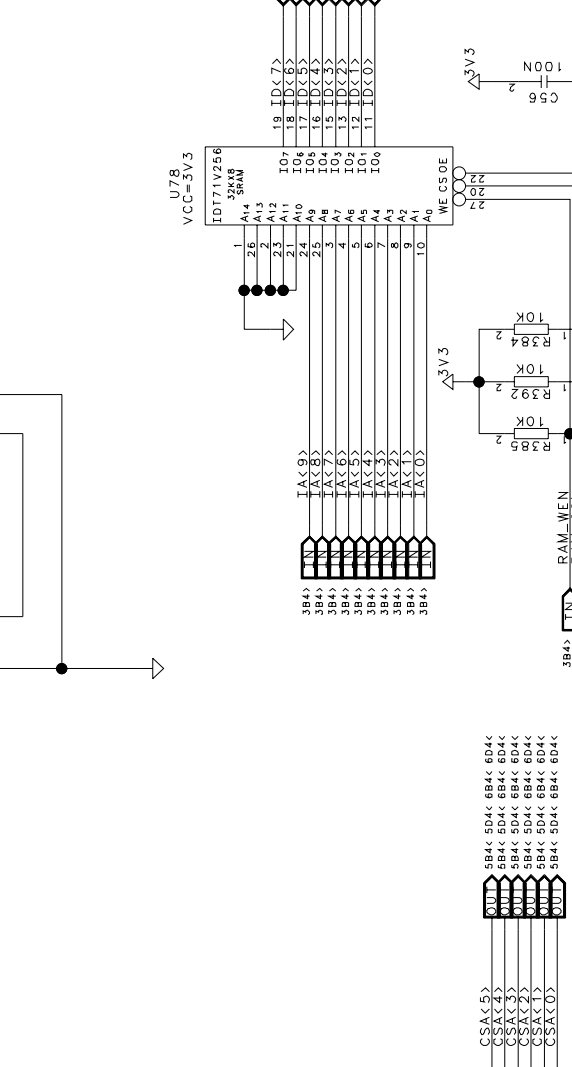
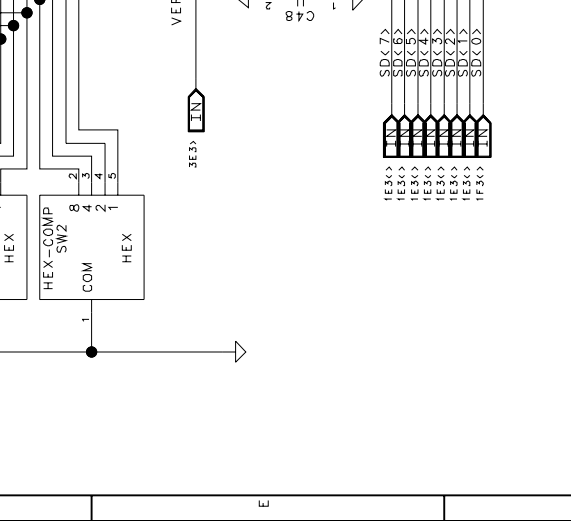
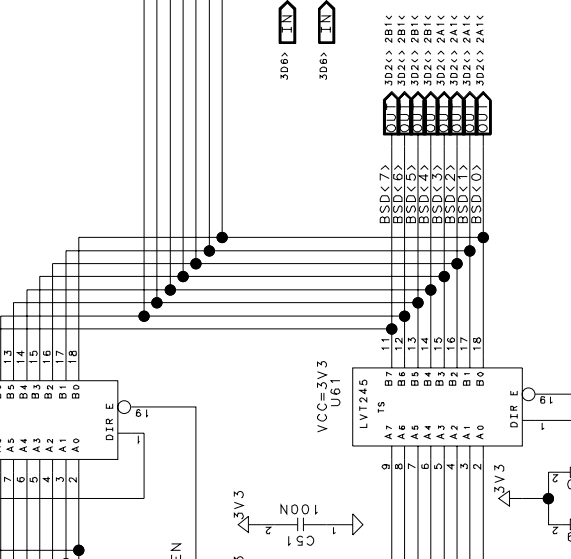
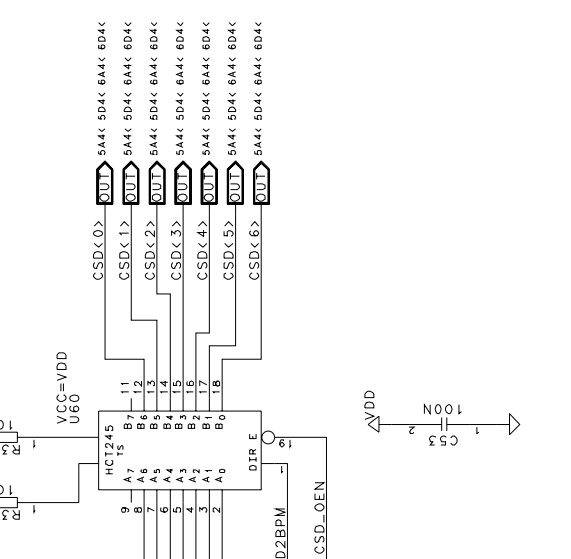
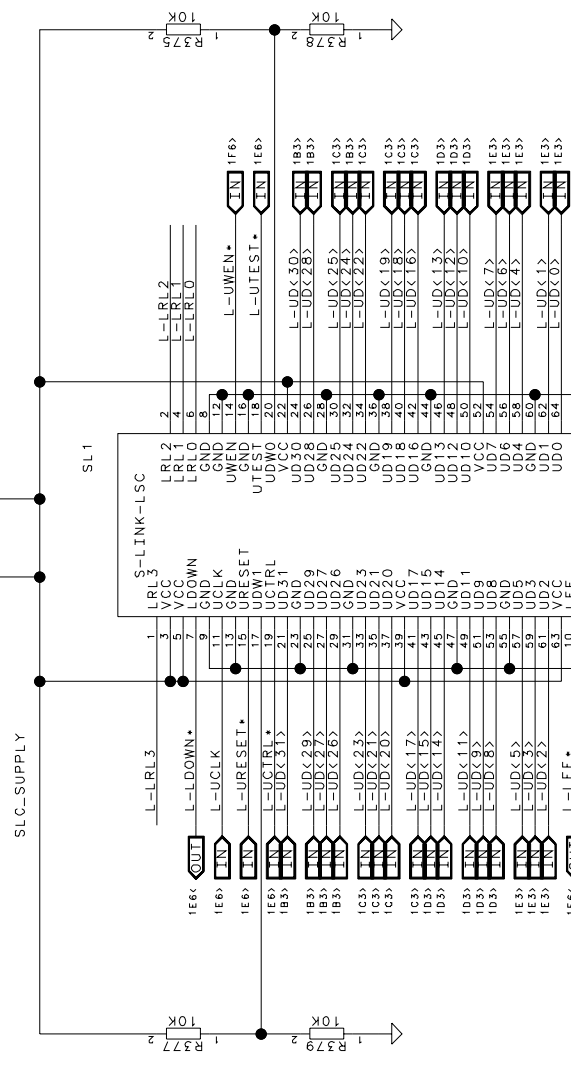
SHEET 2 OF 12

1 2 3 4 5 6

1 2 3 4 5 6

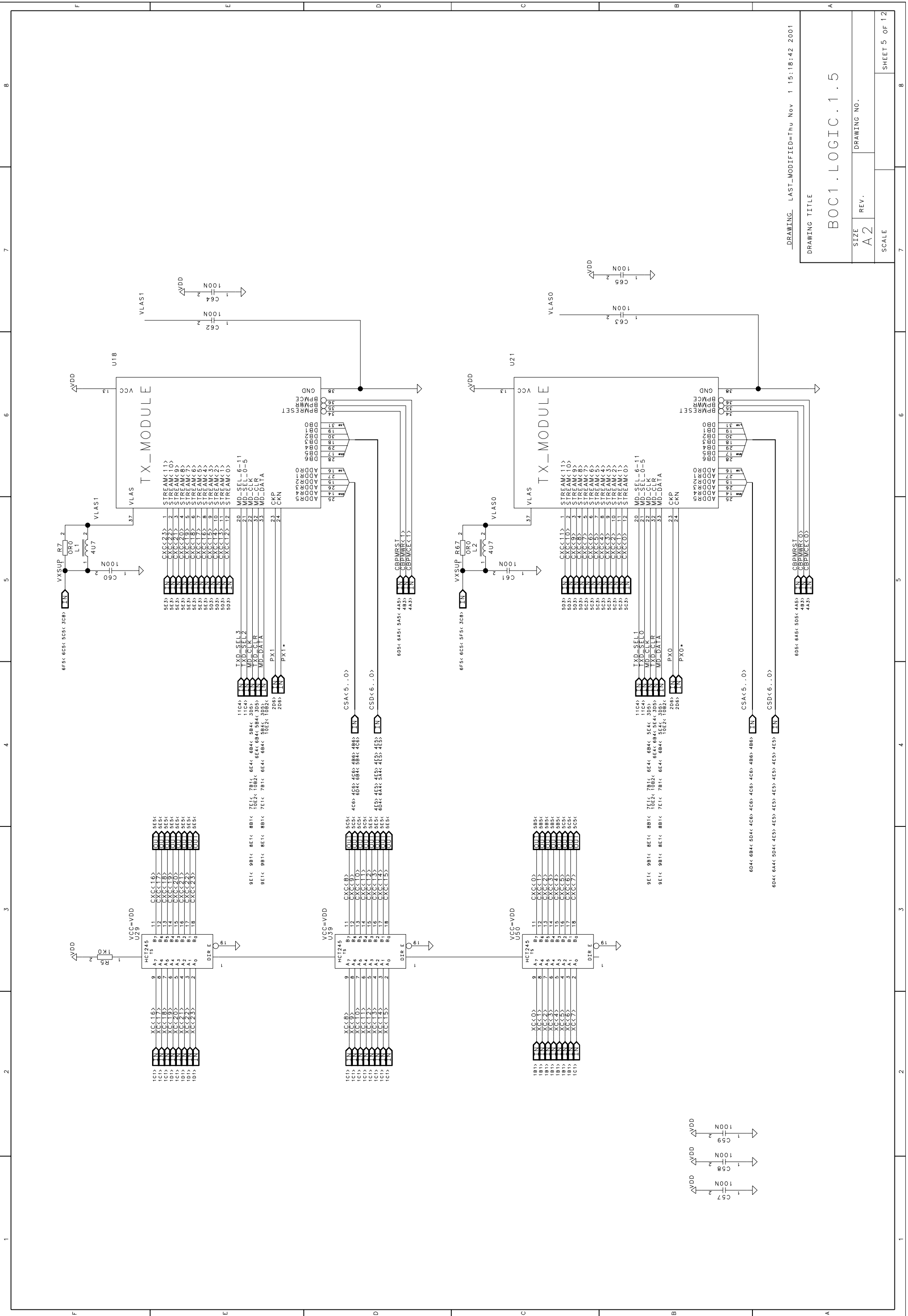
VOLTAGE SELECTION

ONLY ONE LINK
TO BE FITTED



DRAWING LAST_MODIFIED=Thu Nov 1 15:18:41 2001

DRAWING TITLE	
BOC1.LOGIC.1.4	
SIZE	DRAWING NO.
A2	
SCALE	



DRAWING LAST_MODIFIED=Thu Nov 1 15:18:42 2001

DRAWING TITLE

BOC1.LOGLIC.1.5

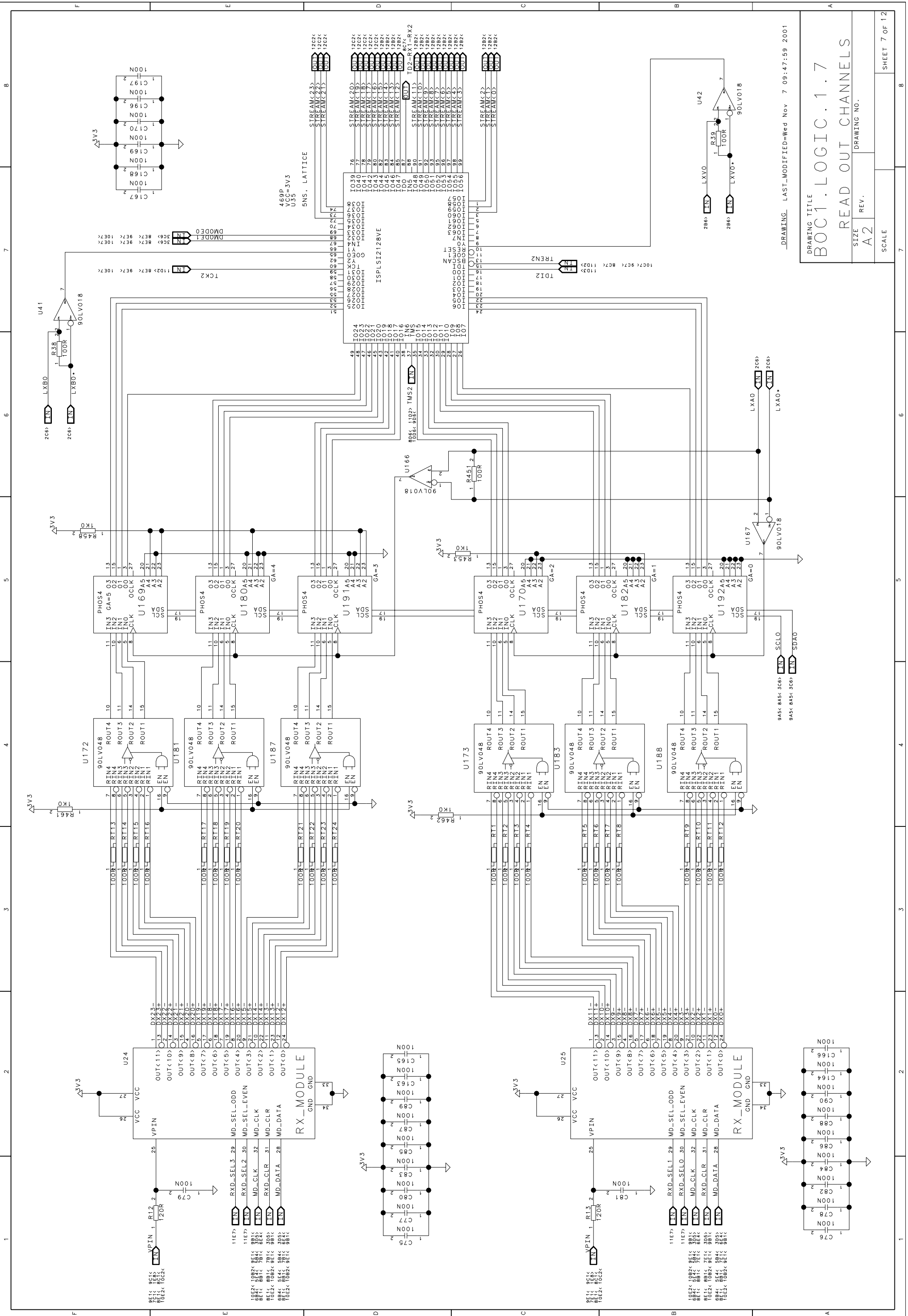
SIZE
A2

REV.

DRAWING NO.

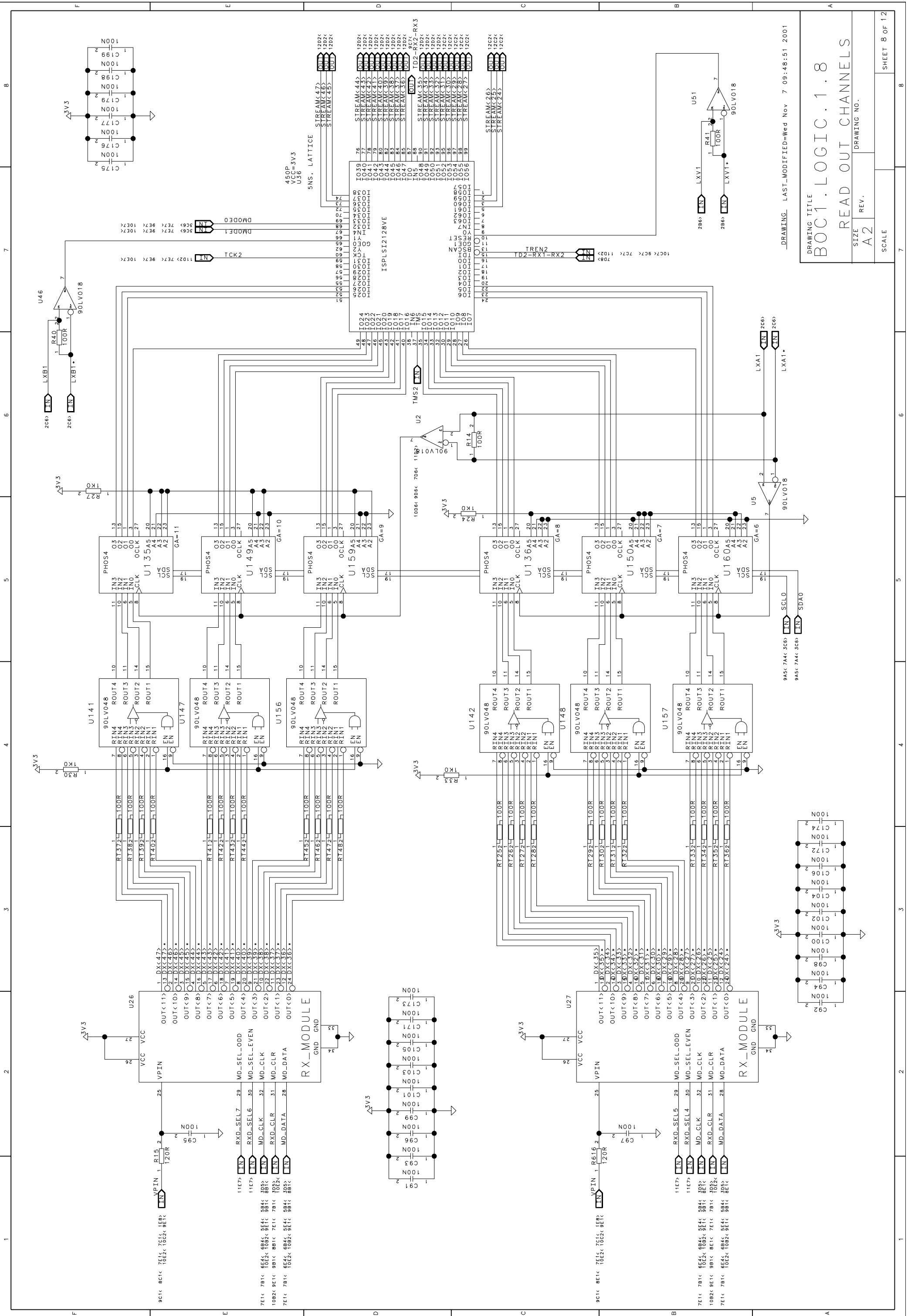
SCALE

SHEET 5 OF 12



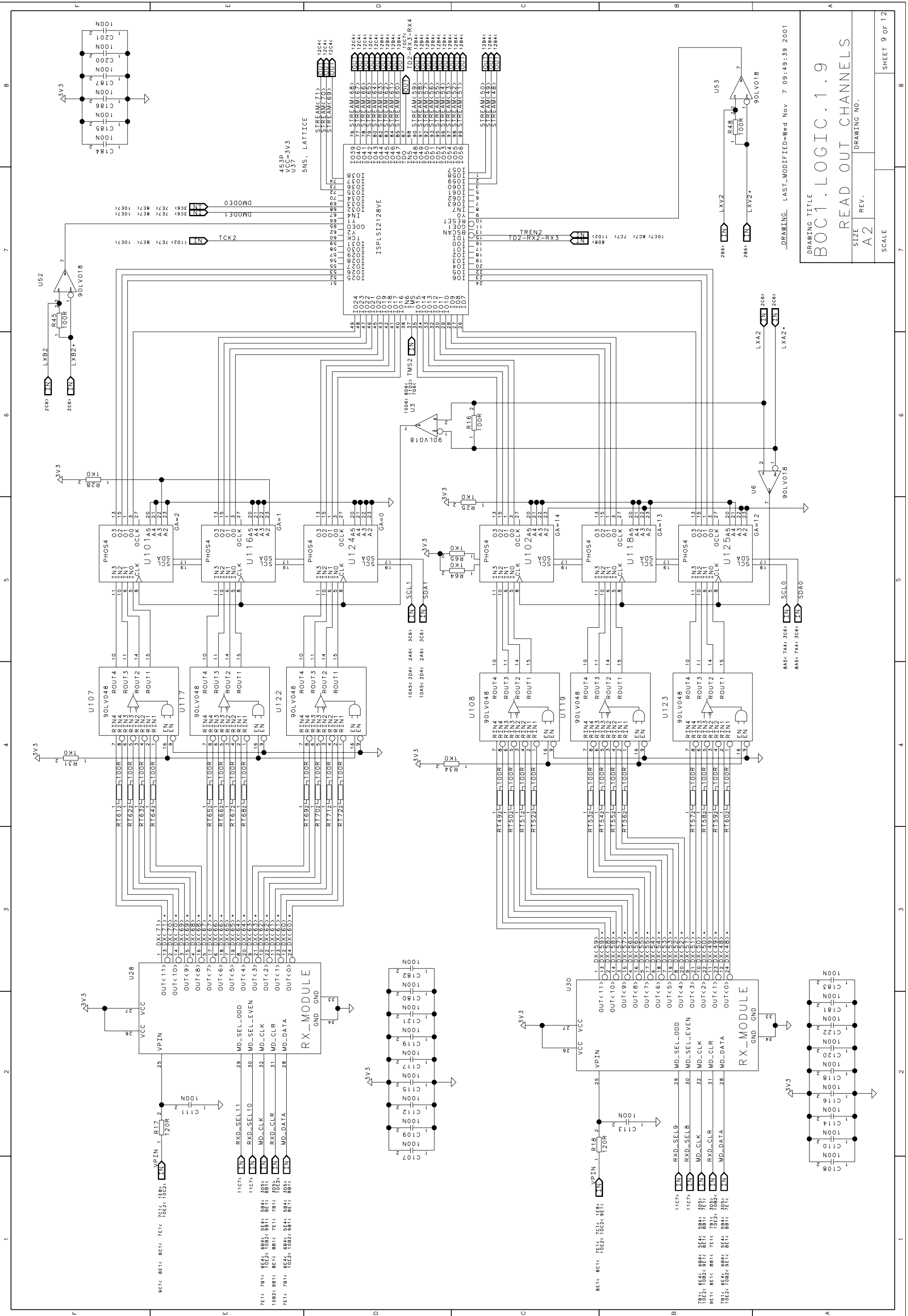
DRAWING LAST_MODIFIED=Wed Nov 7 09:47:59 2001

DRAWING TITLE	
BOC1.LOGIC.1.7	
SIZE	DRAWING NO.
A2	REV.
SCALE	
SHEET 7 OF 12	



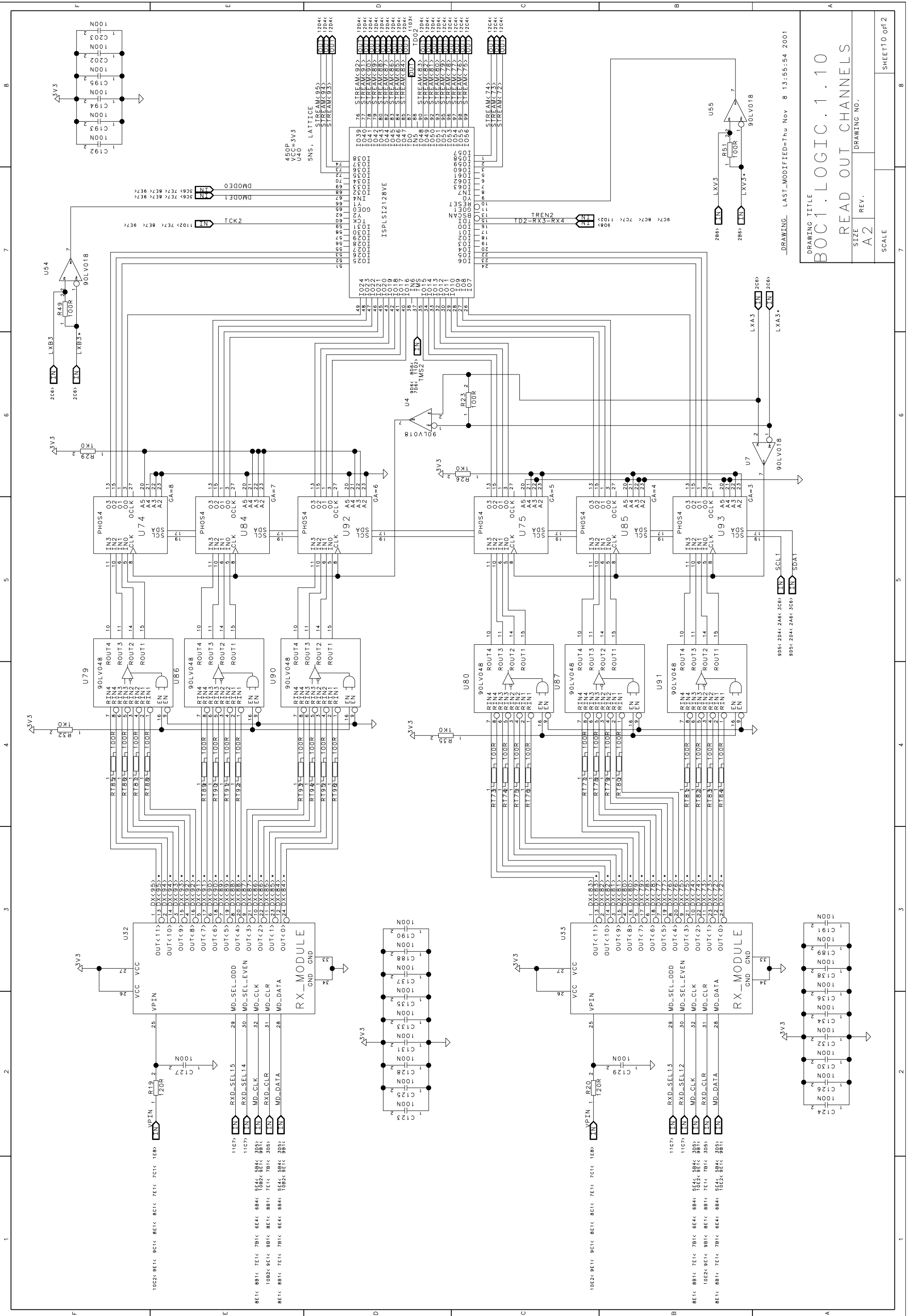
DRAWING LAST_MODIFIED=Wed Nov 7 09:48:51 2001

DRAWING TITLE
 BOC1.LOGIC.1.8
 READ OUT CHANNELS
 SIZE REV.
 A2
 SCALE
 SHEET 8 OF 12



DRAWING LAST_MODIFIED=Wed Nov 7 09:49:39 2001

DRAWING TITLE
 BOC1. LOGIC.1.9
 READ OUT CHANNELS
 SIZE A2
 REV.
 SCALE
 SHEET 9 OF 12



DRAWING LAST_MODIFIED=Thu Nov 8 13:55:54 2001

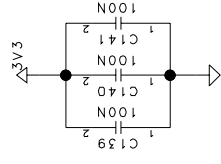
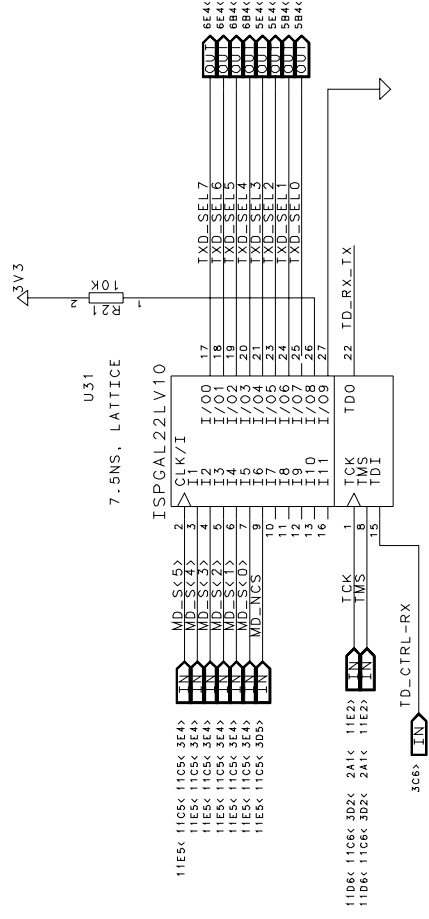
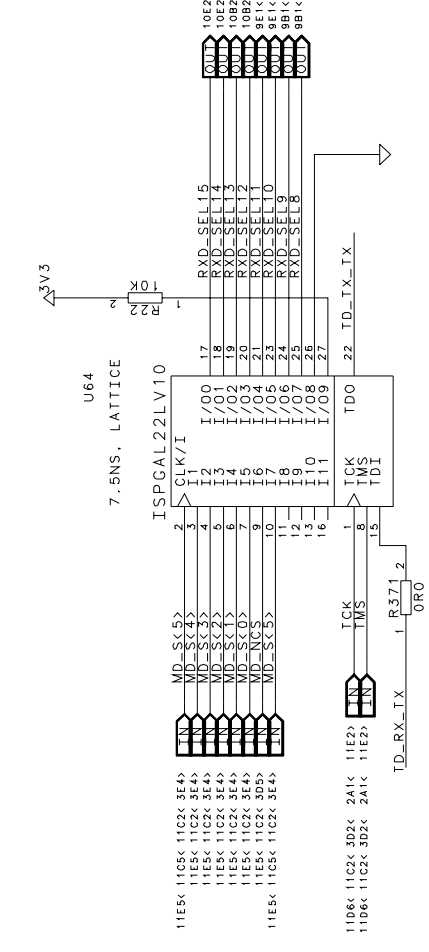
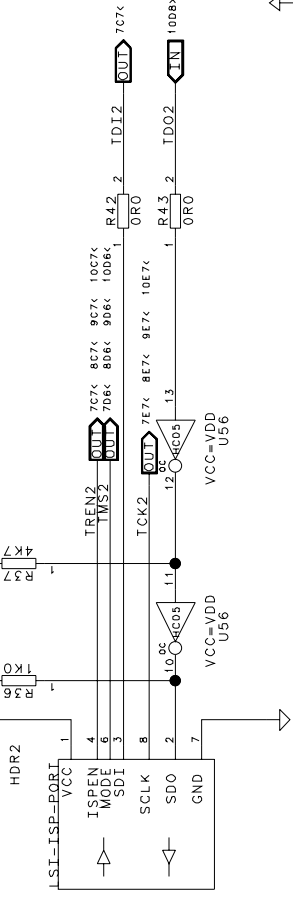
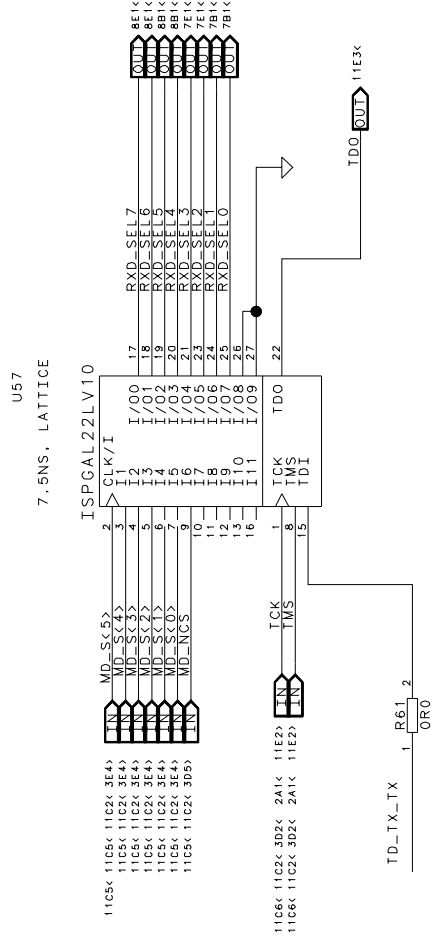
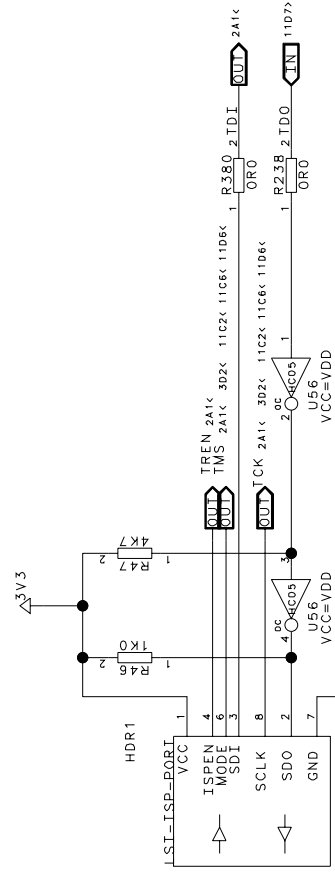
DRAWING TITLE
BOC1.LOGIC.1.10
 READ OUT CHANNELS

SIZE
 A2

REV.
 DRAWING NO.

SCALE

SHEET10 of 12



DRAWING: LAST_MODIFIED=Thu Nov 1 15:18:54 2001

DRAWING TITLE

BOC1.LOGIC.1.11
RX / TX DAC CIRCUITRY

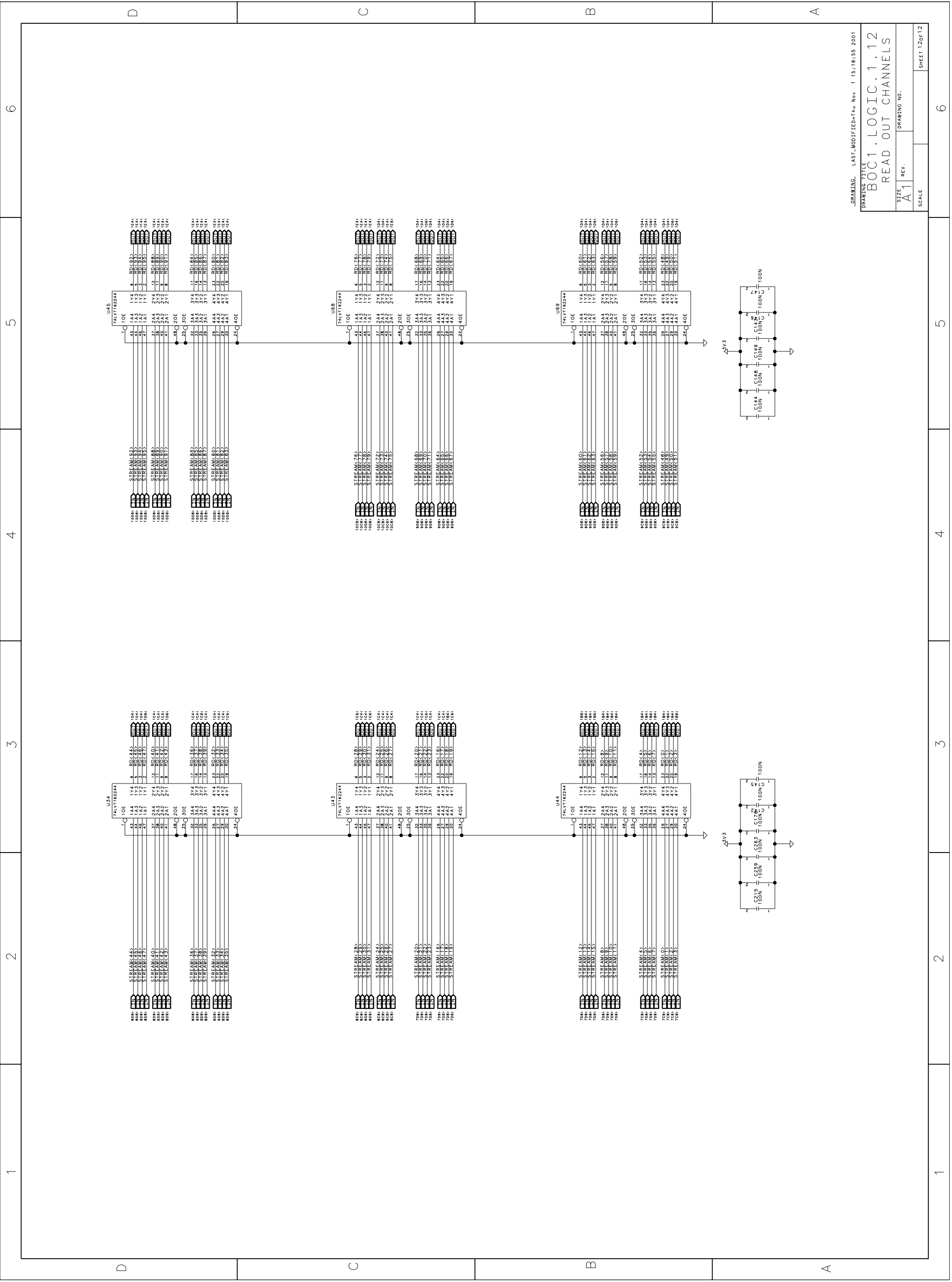
SIZE
A2

REV.

DRAWING NO.

SCALE

SHEET 11 OF 12



-DRAWING: LAST_MODIFIED=Thu Nov 1 15:18:55 2001
DRAWING TITLE
BOC1. LOGIC.1.12
READ OUT CHANNELS
SIZE
A1 | REV.
DRAWING NO.
SCALE
SHEET 12 of 12